

PBU Series 21 & 27

Propane Powered Burnishers



FACT SHEET



TYPICAL APPLICATIONS INCLUDE

- Large Retail Stores
- Shopping Malls
- Supermarkets
- Government Facilities
- Educational Facilities
- Airports

MACHINE OPTIONS INCLUDE

- Dust-control
- Automatic shut-down
- Centrifugal clutches
- Catalytic mufflers

The new Advance PBU series propane-powered burnishers are loaded with performance features to make your floors shine in less time.

The PBU series provides the fastest high-gloss burnishing available. The Advance PBU 21 has a 21 inch (53 cm) pad size and can burnish up to 25,000 square feet (2,322 m²) per hour, while the PBU 27 model offers a larger 27 inch (68 cm) pad capable of burnishing up to 33,000 square feet (3,066 m²) per hour. Simple controls ensure your operators won't be slowed down with machine adjustments — just start it and go.

Powerful 13 or 17 hp Twin-V engines provide the torque to drive the pad at a high rpm that produces a sparkling shine. Select models offer catalytic mufflers, a heavy-duty felt seal on the shroud that provides the best dust control on the market and Carb Gard™, a device that shuts off the engine if it detects harmful emissions.

Easy pad changing, low maintenance and rugged dependability round out the benefits of choosing the new Advance PBU series of propane-powered burnishers.



Advance PBU Series 21 & 27

Propane Powered Burnishers



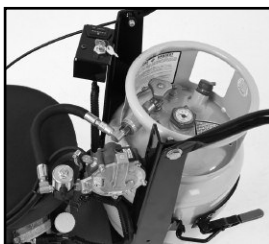
Carb Gard™ emissions control will stop an engine with high exhaust emissions. Notification LED is in plain view to the operator.



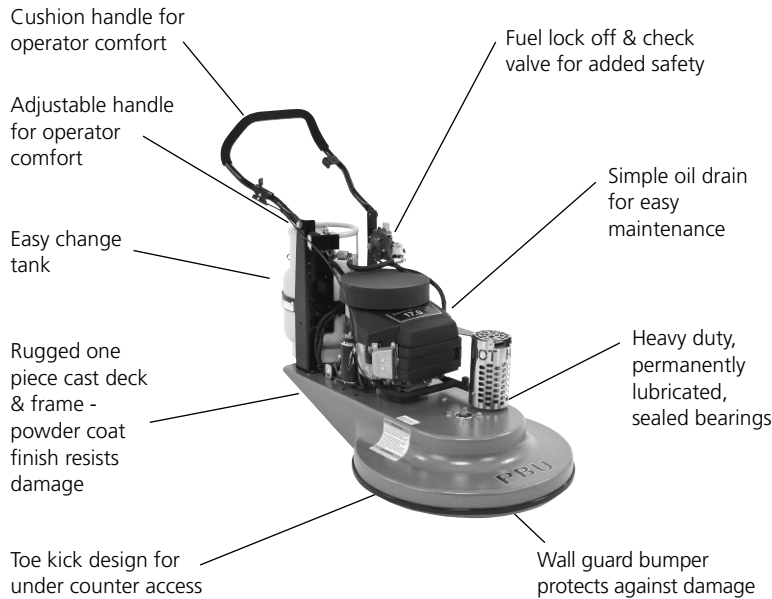
The operator throttle is conveniently located on the handle.



Easy access to change pads.



80% safety fill type propane tank. All propane system components are UL approved.



Two-year warranty
ALL ENGINES MEET EPA REGULATIONS.
ENGINES WITH CATALYTIC MUFFLERS ARE C.A.R.B. CERTIFIED.

Defining Cleaning Innovation...

- Our products are designed using innovative technology that increases productivity and drives down the cost to clean.
- You can get expert service and maintenance for your Advance machines from factory-trained personnel around the world. Fast parts delivery, too.
- Maintain peak performance with Nilfisk Genuine OEM Parts.

Nilfisk Genuine OEM Parts

Technical Specifications

Model	2113E	2113ECL	2113BCAT	2117B	2117BCAT	2717B	2717BCAT	2117BCATCL	2717BCATCL
Pad Size	21 in (53 cm)	21 in (53 cm)	21 in (53 cm)	21 in (53 cm)	21 in (53 cm)	27 in (68 cm)	27 in (68 cm)	21 in (68 cm)	27 in (68 cm)
Engine	13 hp Twin-V Kawasaki	13 hp Twin-V Kawasaki	13 hp Twin-V Kawasaki	17 hp Twin-V Kawasaki	17 hp Twin-V Kawasaki	17 hp Twin-V Kawasaki	17 hp Twin-V Kawasaki	17 hp Twin-V Kawasaki	17 hp Twin-V Kawasaki
Dust Control	No	No	No	No	No	No	No	Yes	Yes
Catalytic Muffler	No	No	Yes	No	Yes	No	Yes	Yes	Yes
Carb Gard™	No	No	No	No	No	No	No	Yes	Yes
Clutch	None	Centrifugal	None	None	None	None	None	Centrifugal	Centrifugal
Pad Speed	2,100 rpm	2,100 rpm	2,100 rpm	2,100 rpm	2,100 rpm	1,500 rpm	1,500 rpm	2,100 rpm	1,500 rpm
Propane Tank	20 lb (9.1 kg) Capacity 80% Safety Fill – ALL MODELS								
Auto Fuel Shutoff	Yes – ALL MODELS								
Low Oil Shutdown	Yes – ALL MODELS								
Hour Meter	Yes – ALL MODELS								
Sound Level	87 - 89 dB A – ALL MODELS								
Productivity Rate	25,000 ft ² /hr (2,322 m ² /hr)	25,000 ft ² /hr (2,322 m ² /hr)	25,000 ft ² /hr (2,322 m ² /hr)	25,000 ft ² /hr (2,322 m ² /hr)	25,000 ft ² /hr (2,322 m ² /hr)	33,000 ft ² /hr (3,066 m ² /hr)	33,000 ft ² /hr (3,066 m ² /hr)	25,000 ft ² /hr (2,322 m ² /hr)	33,000 ft ² /hr (3,066 m ² /hr)
Agency Approvals	EPA, plus UL Approved Propane Components – ALL MODELS								
C.A.R.B. Certified <small>(California Air Resources Board)</small>	No	No	Yes	No	Yes	No	Yes	Yes	Yes
Weight	195 lb	198 lb	208 lb	220 lb	223 lb	242 lb	245 lb	276 lb	298 lb
Dimensions									
Length	51.5 in (131.8 cm)	51.5 in (131.8 cm)	51.5 in (131.8 cm)	51.5 in (131.8 cm)	51.5 in (131.8 cm)	59 in (149.9 cm)	59 in (149.9 cm)	66 in (167.4 cm)	69 in (175.3 cm)
Width	23.3 in (59 cm)	23.3 in (59 cm)	23.3 in (59 cm)	23.3 in (59 cm)	23.3 in (59 cm)	29.3 in (74.4 cm)	29.3 in (74.4 cm)	23.5 in (59.7 cm)	29.5 in (74.9 cm)
Height	43 in (109.2 cm) – ALL MODELS								
Warranty	2 Years Parts and Labor – ALL MODELS								
Part Number	08001B	08002B	08012B	08989B	08945B	08987B	08947B	08992B	08993B

Specifications are subject to change without notice.



14600 21st Avenue North
Plymouth, MN 55447-3408
www.advance-us.com
Phone: 800-850-5559
Fax: 800-989-6566

240 Superior Boulevard
Mississauga, Ontario, Canada L5T 2L2
www.nilfisk-advance.com
Phone: 905-564-1149 or 800-668-8400
Fax: 905-564-1030 or 800-263-5111

©2009, Nilfisk-Advance, Inc.,
Printed in U.S.A., Form 3058A, 3-09

