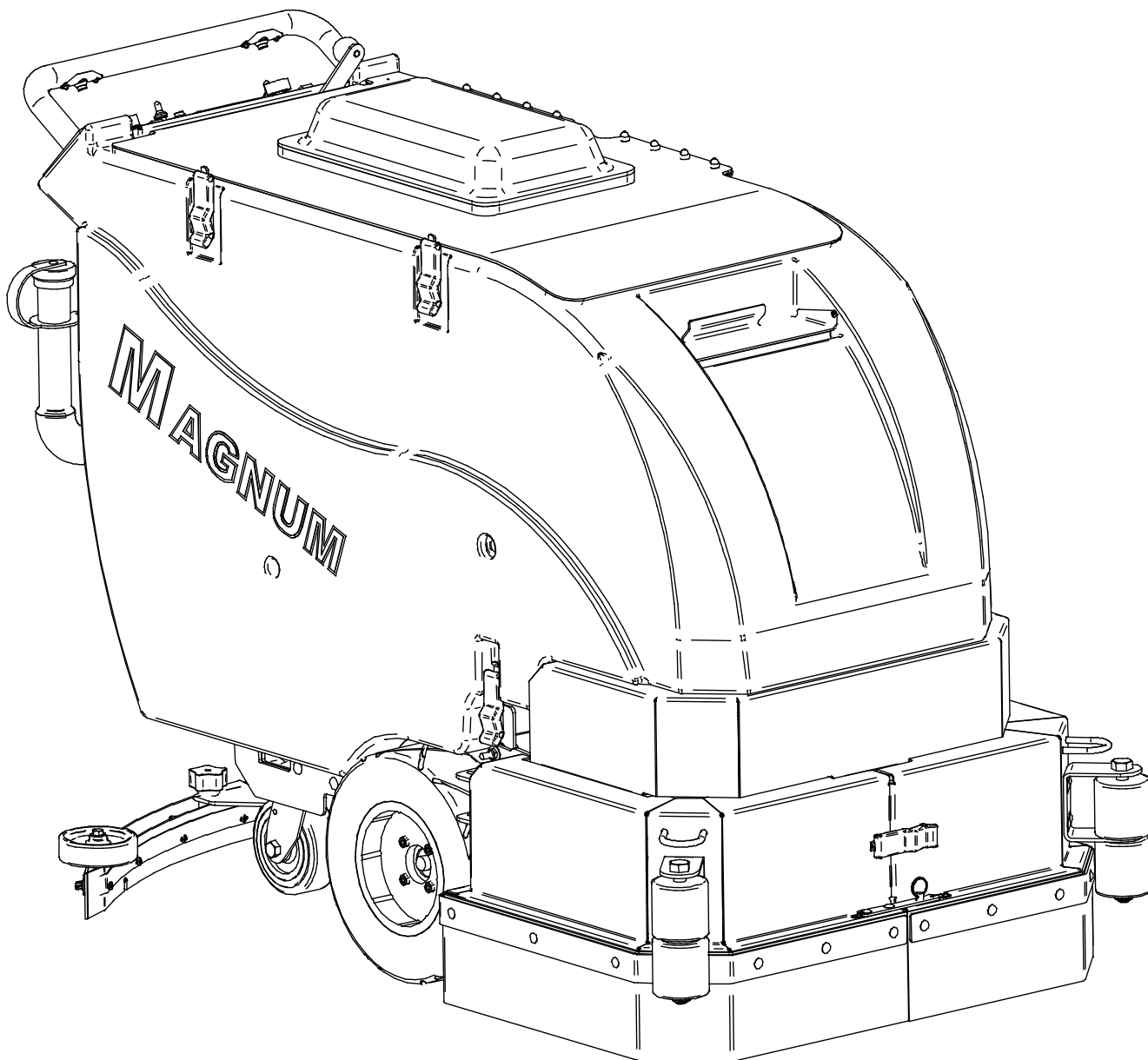


Version 5.0

PARTS MANUAL

MAGNUM SERIES



R.P.S Corporation
P.O. Box 241
Racine Wisconsin 53401

Phone: 1-800-450-9824
Fax: 1-866-632-6961

Soap Choices	4
Actuator Lift Assembly	6
Caster Foot Assembly	8
Frame Assembly	10
Frame Assembly	12
Vac Motor Assembly	14
Tank Baffle	15
Tank Assembly	16
Tank Assembly	18
Tank Lid Assembly	20
Squeegee Trail Arm Assembly	22
Control Panel Assembly	24
Control Panel Assembly	26
Control Panel Assembly	28
35 Inch Squeegee Assembly	30
38 Inch Squeegee Assembly	32
Cylindrical Door Assembly	34
Cylindrical Deck Assembly (before serial # 50000)	36
Cylindrical Deck Assembly (Serial # 50000 and greater)	38
Cylindrical Deck Assembly (before serial # 50000)	40
Cylindrical Deck Assembly (before serial # 50000)	44
Cylindrical Deck Assembly (Serial # 50000 and greater)	46
Disk Scrub Deck Assembly	48
Disk Scrub Deck Assembly	50
Attach Disk Scrub Deck and Bandeau Cover	52
Attach Cylindrical Scrub Deck and Bandeau Cover	54
Option #253-10 Spray Jet System	56
Electric Squeegee Lift (optional)	58
Vac Wand Kit (optional)	60
Side Brooms	62
Jaws	64
Left Shroud	66
Right Shroud	67
SUDS System	68



Industrial • Commercial • Environmentally Safe

TRADITIONAL DRUMS / TOTES



DEMO / RENTAL QUARTS



WALL-MOUNTED SUPERCON



ONBOARD AUTO DISPENSING



Onboard Availability

FORMULAS

SUDS Approved



707 Citrus Green An environmentally cleaner that works! It is a solvent free degreaser that works on oil, carbon, even rubber marks. Incorporates the latest technology in "Green Cleaning".

SUDS Approved



733 Low pH Safe on most surfaces not harmed by water alone. Low scale formula to prevent alkali buildup in cleaning equipment, while offer detergent to emulsify oil.

SUDS Approved



755 High Power Ideal solvent fortified degreaser. This butyl based detergent is penetrating, fast acting, and deep cleaning with built-in corrosion inhibitors. It is our most effective degreaser.

SUDS Approved



757 Gloss A high gloss detergent designed to dry to a bright shine. It is ideal for use on finished surfaces, tile, epoxy, or enamel. The special formula removes salt residue, scuff marks and dirt, while leaving no residue behind. The result is a clean, non-slip surface, ready for immediate use.

SUDS Approved



797 HD The Heavy Duty concentrate is a Super alkaline detergent, formulated for heavy soil, grease, and thick buildup. Popular in machine shops, auto and truck repair, and other facilities with oil, hydraulic fluids and cutting oils.

***Below Sold in bulk concentrate only. Not available as a SuperCon, PowerDose or SUDS product.*

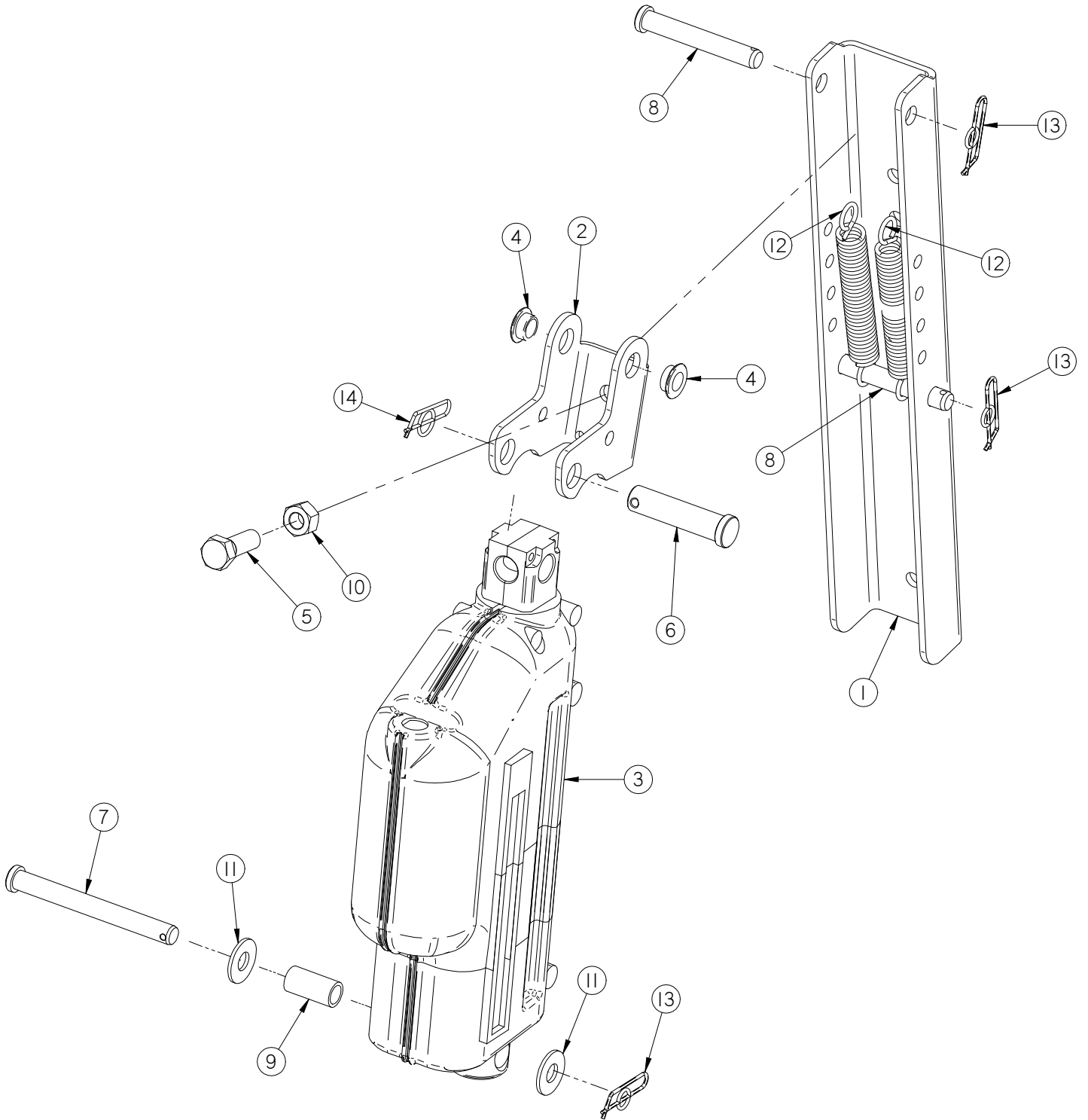
727 Pretreat** Designed to quickly remove tire marks, oil stains and buildup that has accumulated. This pretreat uses the powerful cleaning of natural citrus extract and is intended to be used directly on the floor at 100% concentrate.

744 Tough Stuff** Ideal for applications with Hard Water problems. It is safe to use in pressure washers and automatic scrubbers. The formulation enhances soil suspension, digests oil and grease, while supporting extra water conditioner.

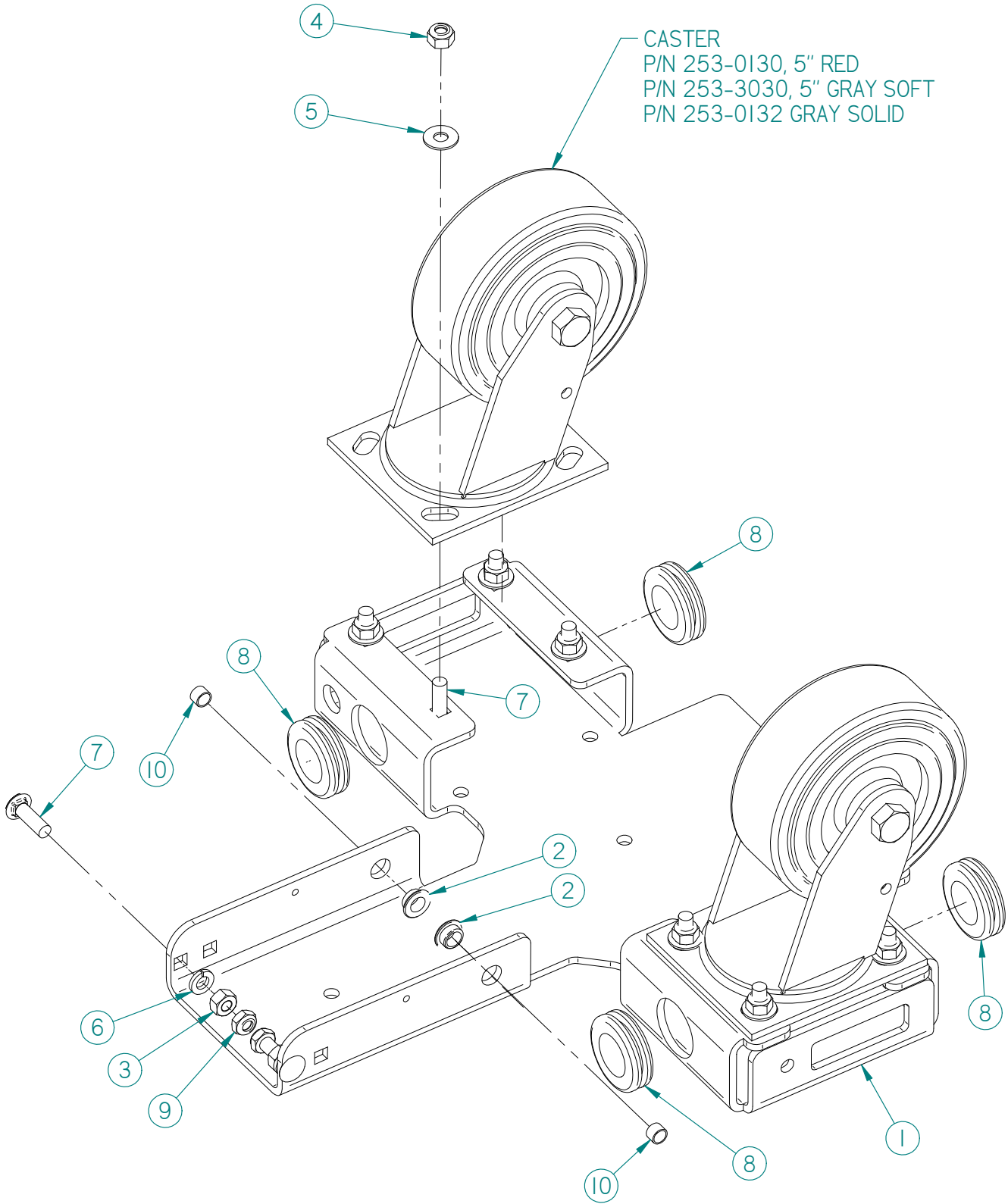
Distributed by:

**PowerCat
P.O. Box 503
Racine, WI 53404-0503
Phone: 414-745-9337
Fax: 262-632-1630
www.powercatsolutions.com**

PowerCat, LLC, 2008.



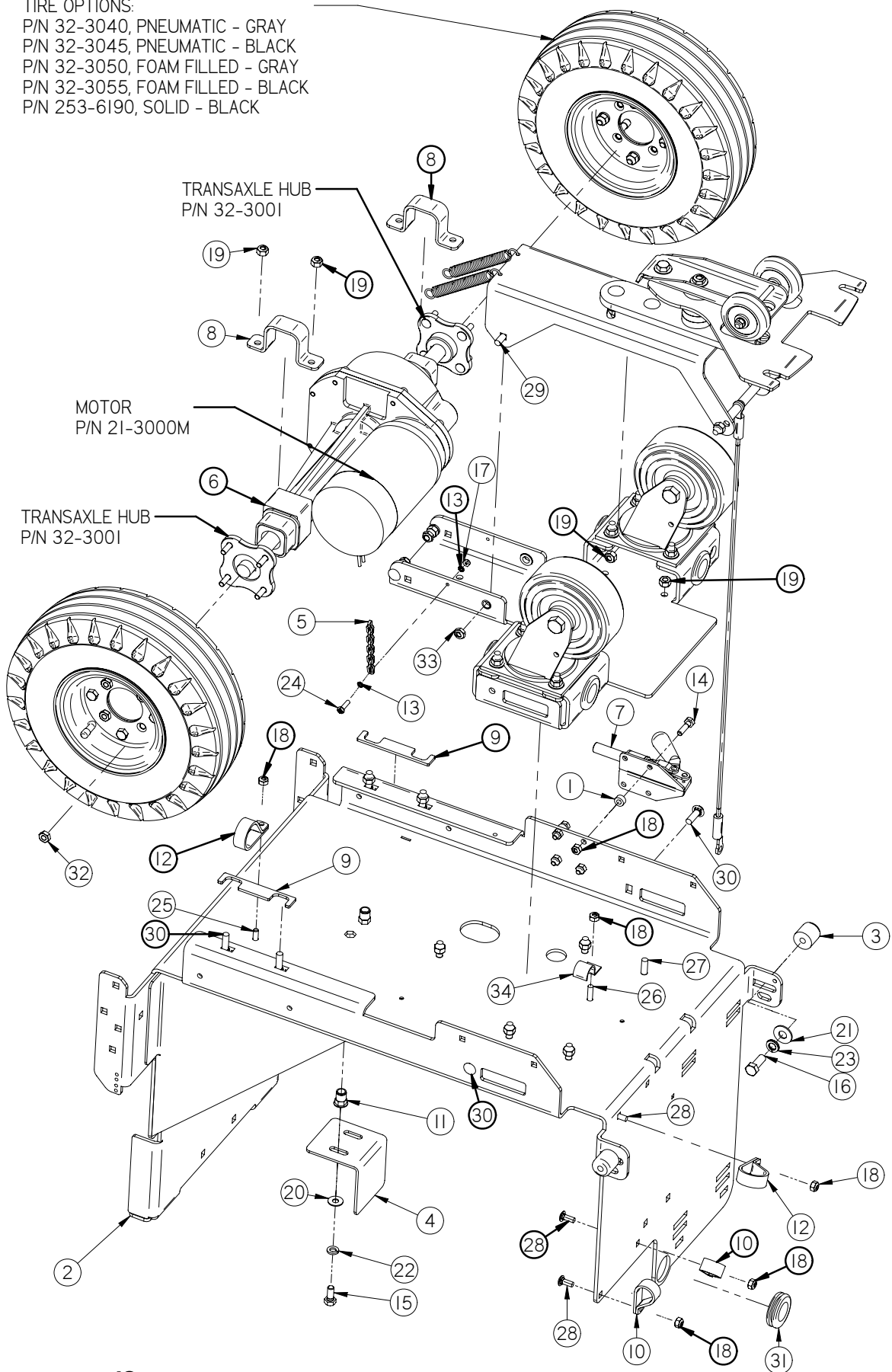
Item	Part Number	Part Description	Qty
1	190-1155	ACTUATOR ANCHOR	1
2	253-1150	ACTUATOR ARM	1
3	253-2210	4" STROKE 24V ACTUATOR 1000 LB LOAD	1
4	290-1233	3/8" ID, 1/2" OD, 1/4" LG BEARING	2
5	H-01219	HCS 3/8"- 24 X 1 1/8" SS	1
6	H-0156771	CLEVIS PIN, 1/2" OD X 2" LG	1
7	H-0156943	3/8" X 3-1/2" CLEVIS PIN	1
8	H-15675	CLEVIS PIN, 3/8" X 2-1/2"	2
9	H-63917	SLEEVE, .50 OD X .375 ID X 1.0 LG	1
10	H-70732	HN 3/8"- 24 SS	1
11	H-71017	FW 3/8" X 7/8" SS	2
12	H-96544	SPRING, 4-1/8" LG, 9/16" OD	2
13	H-RUE14	3/8" RUE RING COTTER	3
14	H-RUE22	1/2" RUE RING COTTER	1



Item	Part Number	Part Description	Qty
1	253-1380	CASTER FOOT	1
2	290-1233	3/8" ID, 1/2" OD, 1/4" LG BEARING	2
3	H-70711	HN 5/16"- 18 SS	2
4	H-70861	NYLOK 5/16" - 18 SS	8
5	H-71015	FW 5/16" X 3/4" SS	8
6	H-71065	LW 5/16" SS	2
7	H-74430	CB 5/16"- 18 X 1" SS	10
8	H-9307K74	GROMMET, 1" ID X 1-3/4" OD BUNA-N	4
9	H-NJ05C	JNYL 5/16"- 18 SS	2
10	M-639IK403	.312 ID X .375 OD X .25 LG BEARING SLEEVE	2

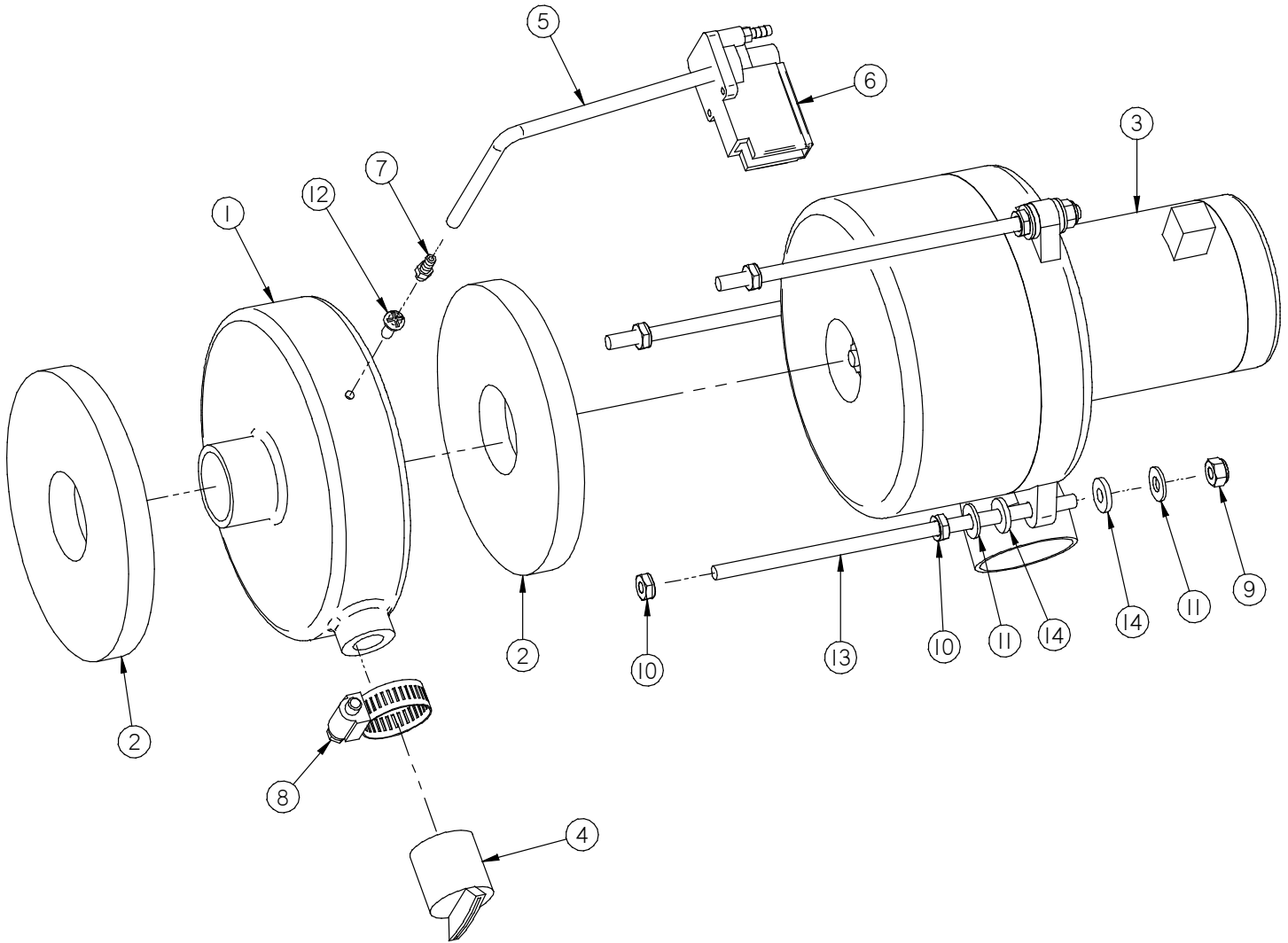
10 Frame Assembly

TIRE OPTIONS:
P/N 32-3040, PNEUMATIC - GRAY
P/N 32-3045, PNEUMATIC - BLACK
P/N 32-3050, FOAM FILLED - GRAY
P/N 32-3055, FOAM FILLED - BLACK
P/N 253-6190, SOLID - BLACK



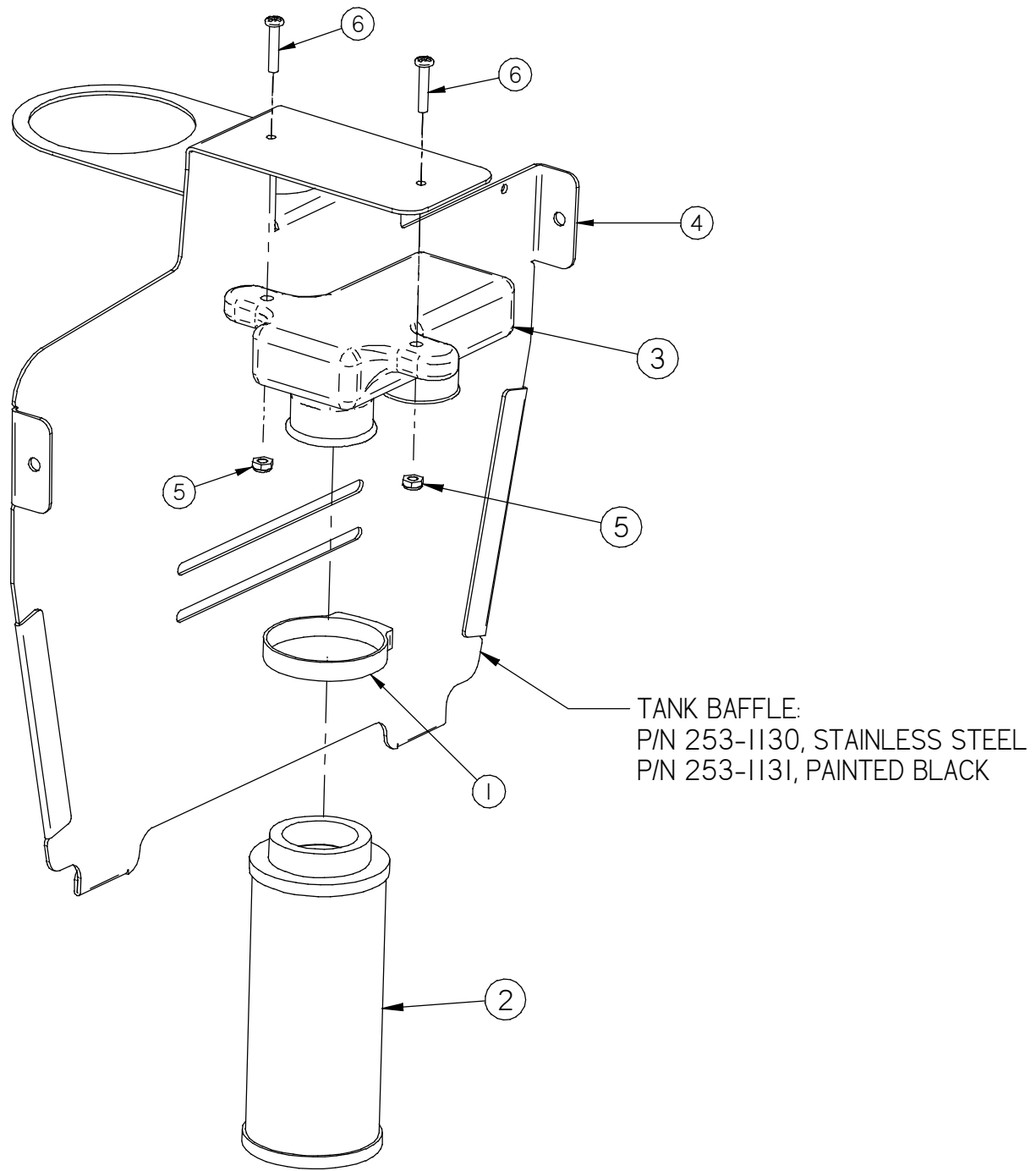
Item	Part No.	Part Description	Qty.
1	21-2211	SPACER 1/2 OD X 1/4"	4
2	253-1000	MAINFRAME WELDMENT	1
3	253-1060	BOSS	2
4	253-1470	BATTERY TRAY BRACKET	1
5	253-1618	GROUNDING CHAIN, 12"	1
6	253-3009	TRANS AXLE	1
7	253-4000	PARKING BRAKE (OPTIONAL)	1
8	32-0999	AXLE MOUNT	2
9	7-128B	CASTER SPACER	2
10	H-0127295	RUBBER LOOP CLAMP, 3/4"	2
11	H-312HCN	HCN 5/16"-18	2
12	H-3225T	RUBBER LOOP CLAMP, 1-1/2"	2
13	H-33733	#6 STAR WASHER	2
14	H-70005	HCS 1/4"- 20 X 1" SS	4
15	H-70053	HCS 5/16"- 18 X 3/4" SS	2
16	H-70105	HCS 3/8"- 16 X 1" SS	2
17	H-70855	NYLOK #6-32 SS	1
18	H-70860	NYLOK 1/4"- 20 SS	9
19	H-70861	NYLOK 5/16" - 18 SS	11
20	H-71015	FW 5/16 ID X 3/4 OD SS	2
21	H-71017	FW 3/8 ID X 7/8 OD SS	2
22	H-71065	LW 5/16" SS	2
23	H-71067	LW 3/8" SS	2
24	H-72388	PPH #6-32 X 3/4" SS	1
25	H-72708	FHP 1/4"- 20 X 3/4"	1
26	H-72710	FHP 1/4"- 20 X 1" SS	1
27	H-73908	FHSCS 5/16"- 18 X 1" SS	5
28	H-74418	CB 1/4"- 20 X 5/8" S/S	3
29	H-74429	CB 5/16"- 18 X 3/4" SS	2
30	H-74430	CB 5/16"- 18 X 1" SS	6
31	H-9307K74	GROMMET, 1" ID X 1-3/4" OD BUNA-N	1
32	H-FAN5	LUG NUT 5/16"-18 SS	8
33	H-NJ05C	JNYL 5/16"- 18 SS	2
34	M-9434T27	3/4" DIA I HOLE TUBE STRAP	1

12 Vac Motor Assembly



Item	Part Number	Part Description	Qty
1	190-1450	VAC BOX	1
2	190-3002	VAC MOTOR GASKET	2
3	190-5250	VAC MOTOR, 3/4 HP, TANGENTIAL	1
4	253-1505	LOADER VALVE	1
5	253-8006	CLEAR TUBE, 1/8" ID X 1/4" OD X ? LG	1
6	390-2328	SWITCH, VACUUM SHUTOFF	1
7	390-2328A	VACUUM SWITCH BARB	1
8	H-62005	CLAMP 5/8"- 1-1/2" SS	1
9	H-70860	NYLOK 1/4"- 20 SS	3
10	H-70925	KN 1/4-20 S/S	6
11	H-71013	FNW 1/4" X 5/8" SS	6
12	H-72515	PPH #10-32 X 1/2" S/S	1
13	H-WI579194	1/4-20 X 7" FT STUD S/S	3
14	M-90130A029	.25" NEOPRENE WASHER	6

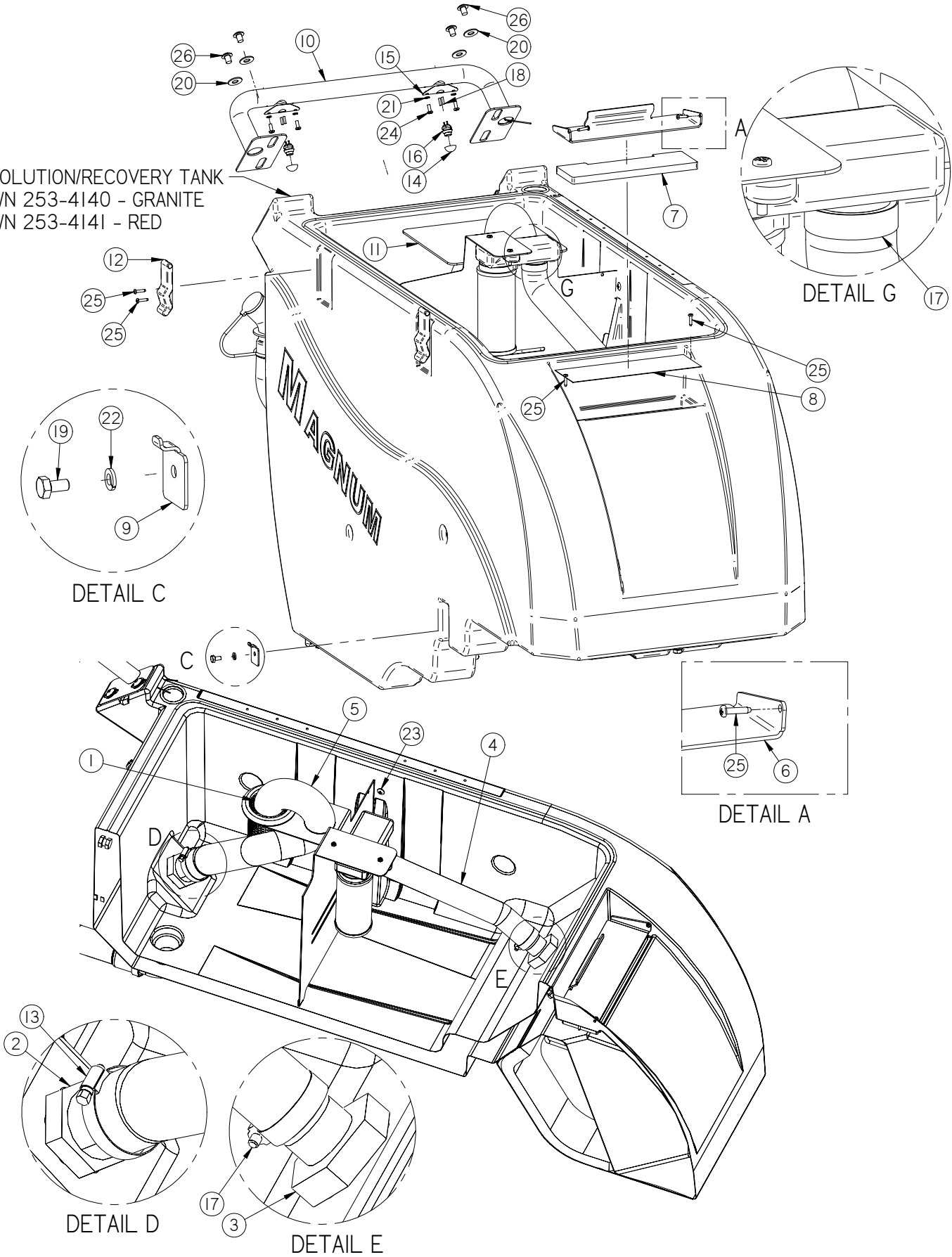
NOTE: ITEMS 5, 6, 7 ARE OPTION #253-28 VACUUM ELECTRIC SHUT-OFF.



Item	Part Number	Part Description	Qty
1	21-4028	SNAP GRIP CLAMP	1
2	21-4085	VAC SCREEN	1
3	21-7060	VAC BOX	1
4	253-1131	BAFFLE, PAINTED	1
5	H-70858	NYLOK #10-32 SS	2
6	H-72536	PPH #10-32 X 1" S/S	2

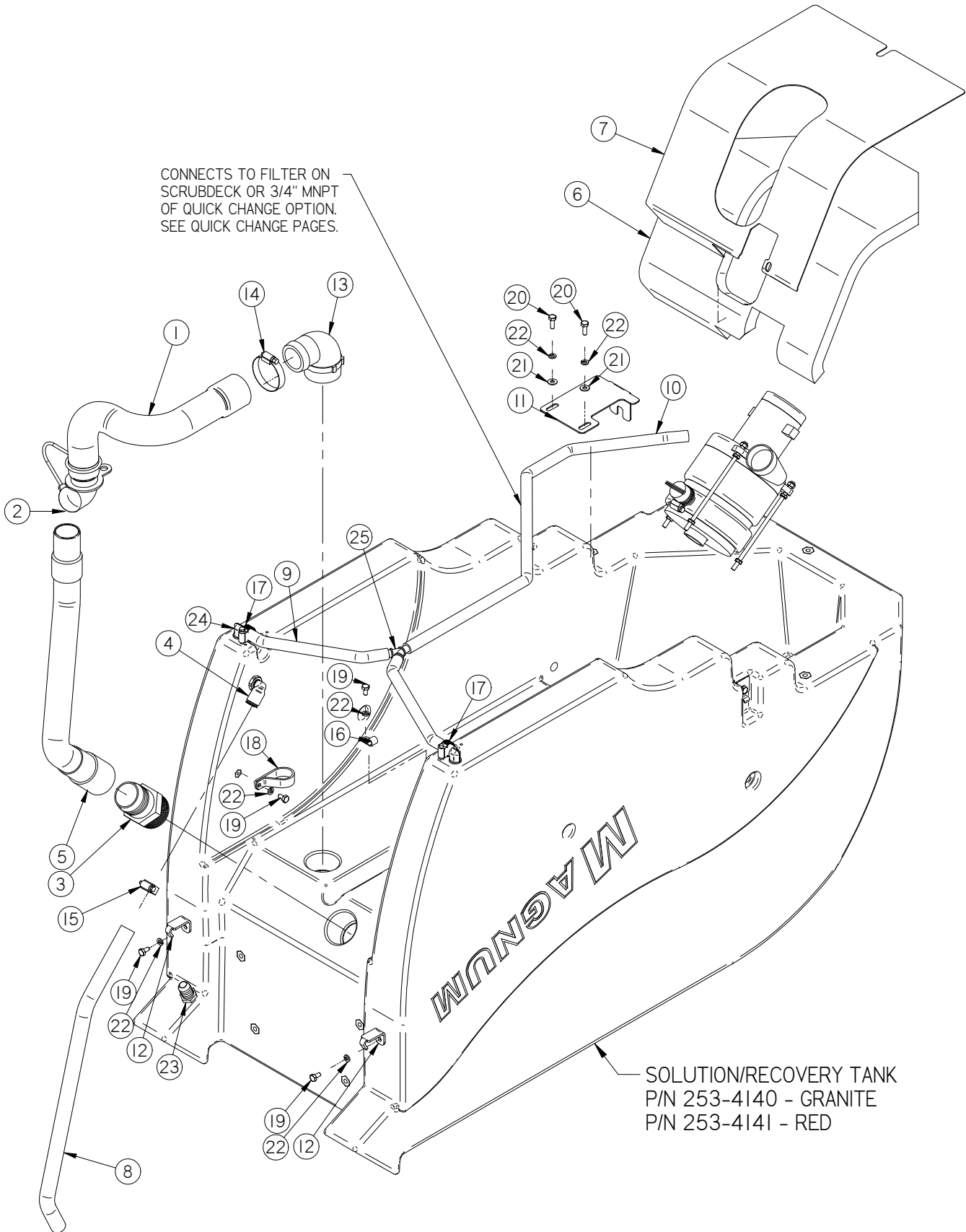
14 Tank Assembly

SOLUTION/RECOVERY TANK
P/N 253-4140 - GRANITE
P/N 253-4141 - RED



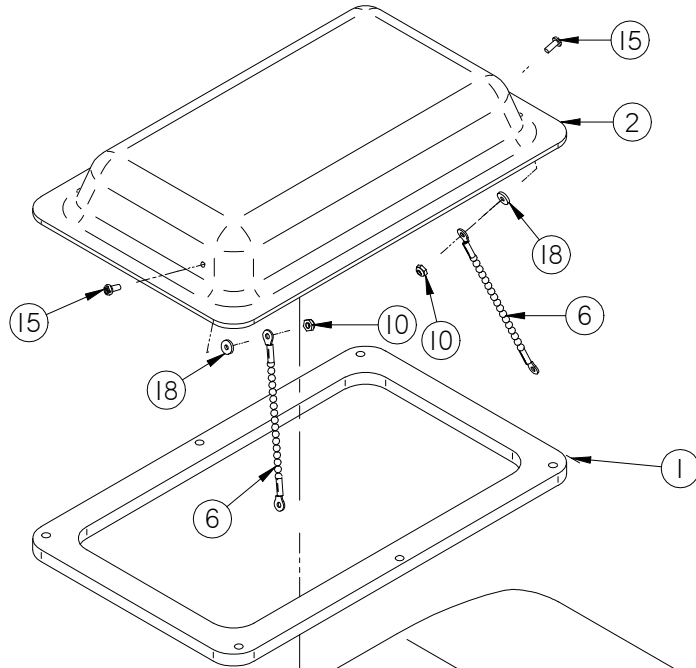
Item	Part Number	Part Description	Qty
1	170-8911	SCREEN STRAINER, 4-1/4" LG	1
2	190-1210	2.0" MNPT X 2.0" BARB, PVC	1
3	190-1215	2.0" MNPT X 1.50" BARB, PVC	1
4	253-0120	1-1/2" ID X 19" LG WIRE REINF. BLACK HOSE, NO CUFFS	1
5	253-0121	2.0" ID x 27.0" LG MW255 GRAY MG HOSE, NO CUFFS	1
6	253-1180	SOLUTION FILL LID	1
7	253-1190	SOLUTION FILL LID GASKET	1
8	253-1220	SCREEN	1
9	253-1240	CLIP	2
10	253-1280	HANDLEBAR	1
11	370-1129	TANK BACK SPLASH	1
12	4-124	LATCH	2
13	5-719	CLAMP 1 9/16 - 2 1/2 " SS	1
14	7-227	BUTTON COVER	1
15	7-228	SWITCH MOUNT PLATE	1
16	7-229	PUSH BUTTON SWITCH	1
17	H-0427612	CLAMP 3/4"- 1-3/4" SS	2
18	H-108	HEAT SHRINK	1
19	H-70001	HCS 1/4"-20 X 1/2 SS"	2
20	H-71017	FW 3/8 ID X 7/8 OD SS	2
21	H-71059	LW #10, SS	1
22	H-71063	LW 1/4" SS	1
23	H-71894	#14 X 1" SELF TAPPING SCREW	2
24	H-72515	PPH #10-32 X 1/2" S/S	1
25	H-72536	PPH SMS #8 X 3/4" SS	5
26	H-73811	BHSCS 3/8"- 16 X 1/2" SS	2

16 Tank Assembly

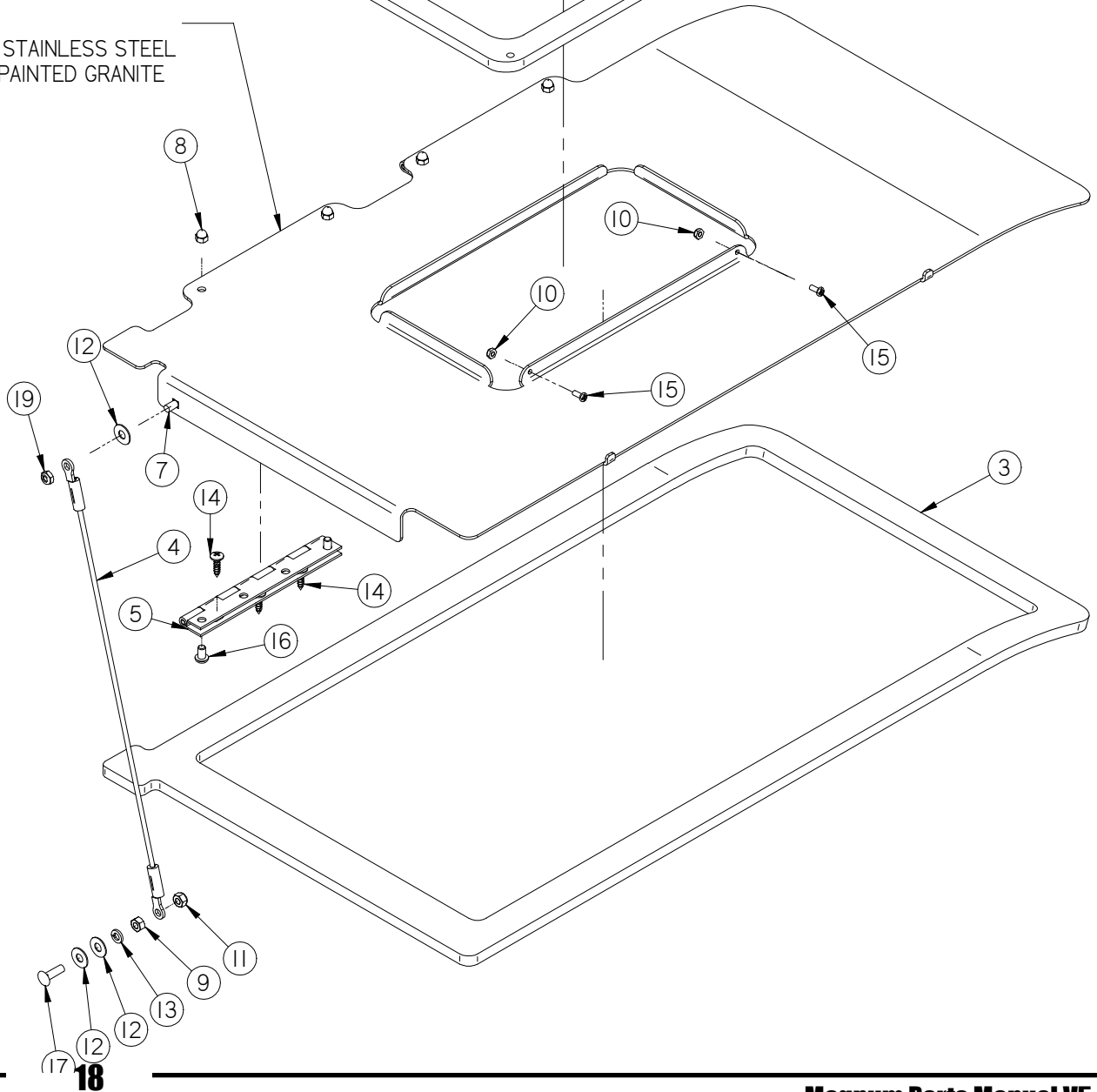


Item	Part Number	Part Description	Qty
1	170-7210	DRAIN HOSE	1
2	170-7211	HOSE CAP	1
3	190-1210	2.0" MNPT X 2.0" BARB, PVC	1
4	190-5779	ELBOW, MALE 1/2" NPT X 1/2" TUBE OD, GLASS FILLED NYLON	1
5	253-0111	HOSE, 1.50" ID X 38.50" LG.	1
6	253-1137	VAC MOTOR INSULATION	1
7	253-1139	INSULATION SUPPORT	1
8	253-1370	CLEAR HOSE, 3/4" ID X 1.0" OD X 26" LG	1
9	253-1604	1/2" ID X 11-1/2" LG WIRE REINF. CLEAR TUBE	2
10	253-1605	1/2" ID X 36-1/2" LG WIRE REINF. CLEAR TUBE	1
11	253-4100	WIRE PLATE	1
12	253-9491	HOOK	2
13	290-7040	2" NPT X 2" BARB ELBOW, BLACK	1
14	5-719	CLAMP 1 9/16 - 2 1/2 " SS	1
15	5-848	CLAMP 9/16"- 1 1/16" SS	1
16	H-0127288	#6 3/8" RUBBER LOOP CLAMP	1
17	H-081	CLAMP 7/16"- 25/32" SS	2
18	H-3225T	RUBBER LOOP CLAMP, 1-1/2"	1
19	H-70001	HCS 1/4"-20 X 1/2 SS"	4
20	H-70003	HCS 1/4"- 20 X 3/4" SS	2
21	H-71013	FW 1/4" X 5/8" SS	2
22	H-71063	LW 1/4" SS	6
23	M-5346K68	1/2" MNPT X 3/4" BARB, BRASS	1
24	M-53525K58	ELBOW, 1/2" MNPT X 1/2" BARB, BRASS	1
25	M-5463K727	WYE, 1/2", NYLON	1

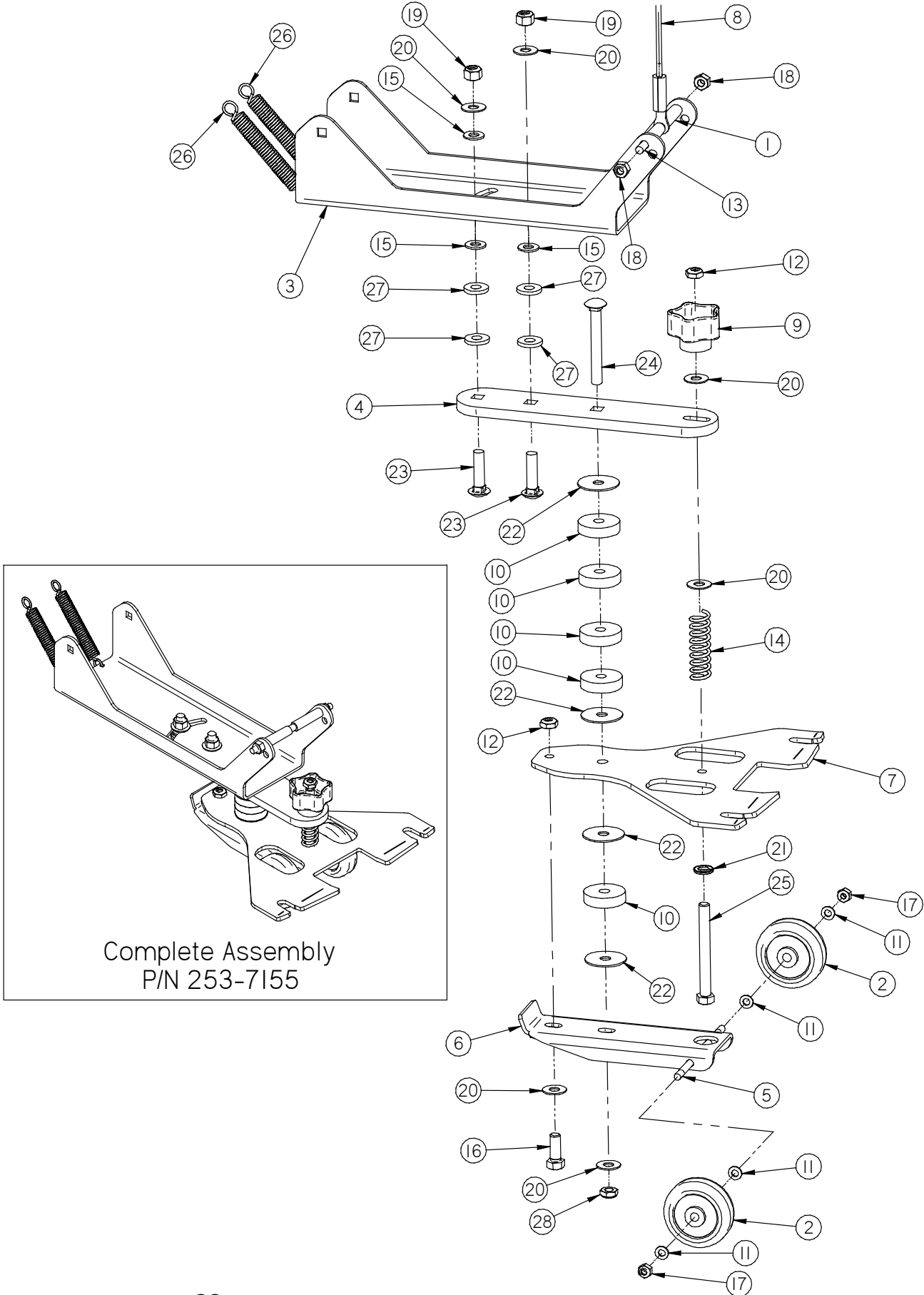
18 Tank Lid Assembly



TANK LID
P/N 253-1400 - STAINLESS STEEL
P/N 253-1401 - PAINTED GRANITE

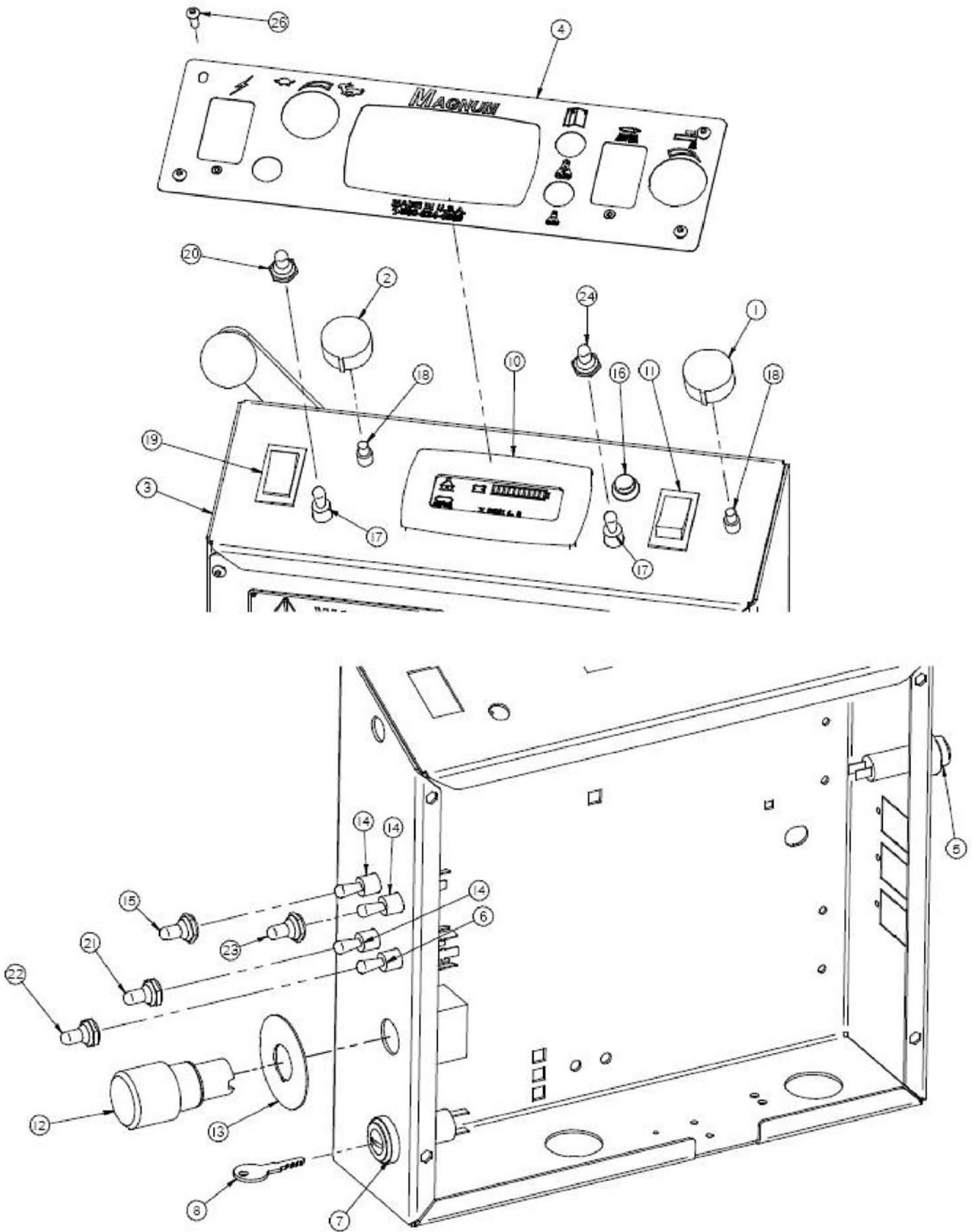


Item	Part Number	Part Description	Qty
1	190-1075	TANK CLEAR COVER GASKET	1
2	190-1410	VAC FORMED CLEAR COVER	1
3	253-1070	RECOVERY TANK LID GASKET	1
4	253-1450	RECOVERY TANK CABLE, 20"	1
5	32-8000	8" CONTINUOUS HINGE	2
6	370-4060	6" LANYARD	2
7	H-0172526	CB 5/16"- 18 X 5/8" SS	1
8	H-37709	5/16-18 ACORN NUT	4
9	H-70711	HN 5/16"- 18 SS	1
10	H-70858	NYLOK #10-32 SS	4
11	H-70861	NYLOK 5/16" - 18 SS	1
12	H-71017	FW 3/8" X 7/8" SS	3
13	H-71065	LW 5/16" SS	1
14	H-71894	#14 X 1" SELF TAPPING SCREW	6
15	H-72515	PPH #10-32 X 1/2" S/S	4
16	H-73777	BHSCS 5/16-18 X 1/2"	4
17	H-74430	CB 5/16"- 18 X 1" SS	1
18	H-90133	.170 ID X .50 OD X .093 TH NEOPRENE WASHER	2
19	H-NJ05C	JNYL 5/16"- 18 SS	1

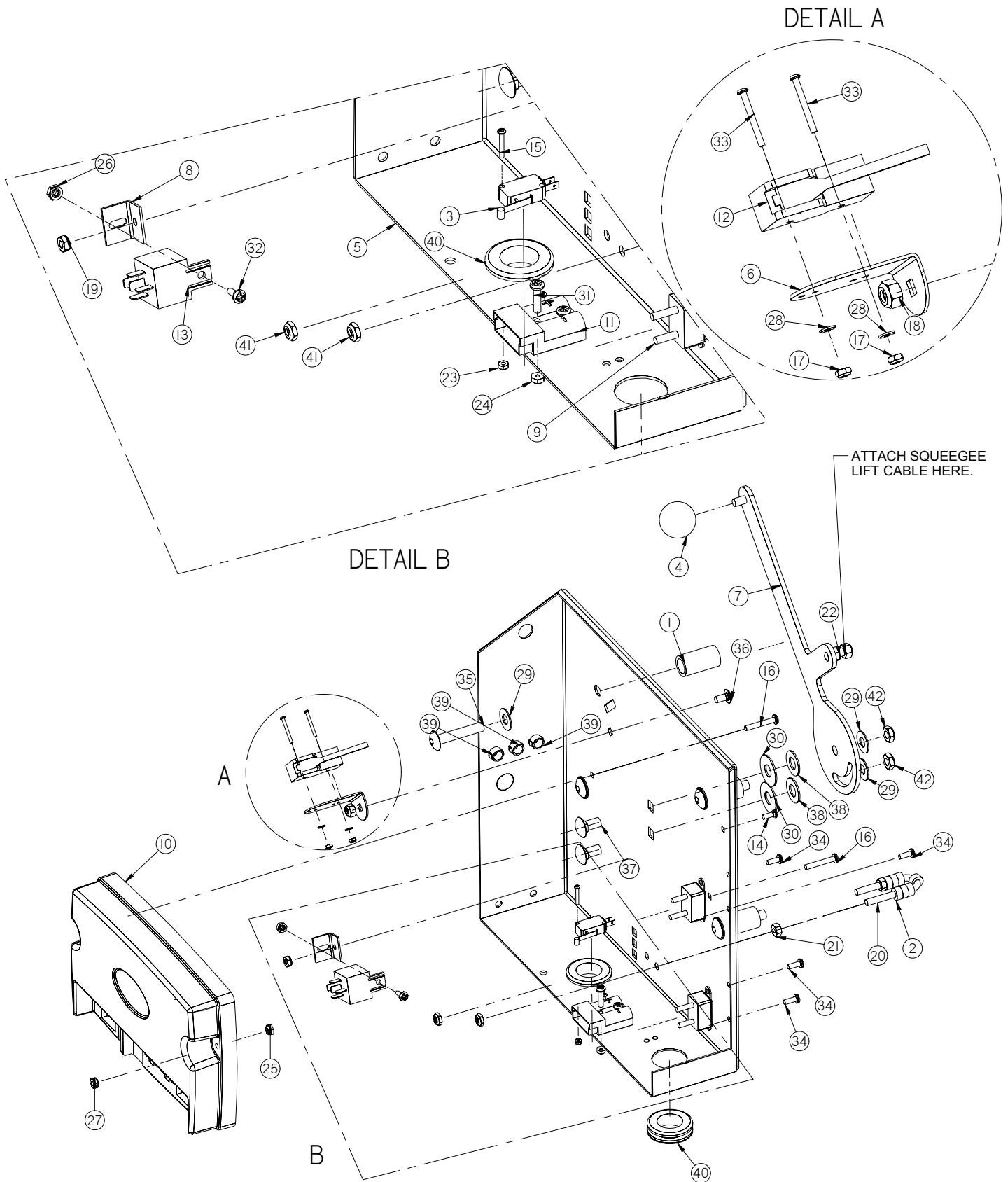


Item	Part Number	Part Description	Qty
1	190-1055	TUBE, 5/16" ID X 7/16" OD X 1-5/8" LG	2
2	21-7570	BACK UP WHEEL (GREY)	2
3	253-7140	SQUEEGEE SWING PLATE	1
4	253-7150	SQUEEGEE TRAIL ARM	1
5	253-7160	SQUEEGEE WHEEL AXLE	1
6	253-7220	SQUEEGEE TRAIL MOUNT	1
7	253-7610	SQUEEGEE TRIANGLE PLATE	1
8	253-7890	SQUEEGEE LIFT CABLE, 27-5/8"	1
9	290-5787	STAR KNOB, 3/8-24 THREAD	1
10	4-446	GROMMET-3/8 ID X 1-1/2 OD X .375	5
11	H-00283	FW 1/4" NYLON	4
12	H-0171004	JNYL 3/8- 24 SS	2
13	H-10097811	5/16-18 X 5" DOUBLE ENDED STUD S/S	1
14	H-111	SPRING, 1/2" ID X 2-1/2" LG	1
15	H-4440024	FW 3/8" X 3/4" NYLON	3
16	H-70142	HCS 3/8"- 24 X 1" S/S	1
17	H-70860	NYLOK 1/4"- 20 SS	2
18	H-70861	NYLOK 5/16" - 18 SS	2
19	H-70862	NYLOK 3/8"-16 SS	2
20	H-71017	FW 3/8" X 7/8" SS	6
21	H-71067	LW 3/8" SS	1
22	H-71217	FNW 3/8" X 1-1/2" SS	4
23	H-74438	CB 3/8"- 16 X 1-1/2" SS	2
24	H-74441	CB 3/8"- 16 X 3.0" SS	1
25	H-92865A227	HCS 3/8"- 24 X 3.5" SS	1
26	H-96544	SPRING, 4-1/8" LG, 9/16 OD, (42E)	2
27	H-98025	FW 3/8" GRADE 8	4
28	H-NJ06C	JNYL 3/8- 16 SS	1

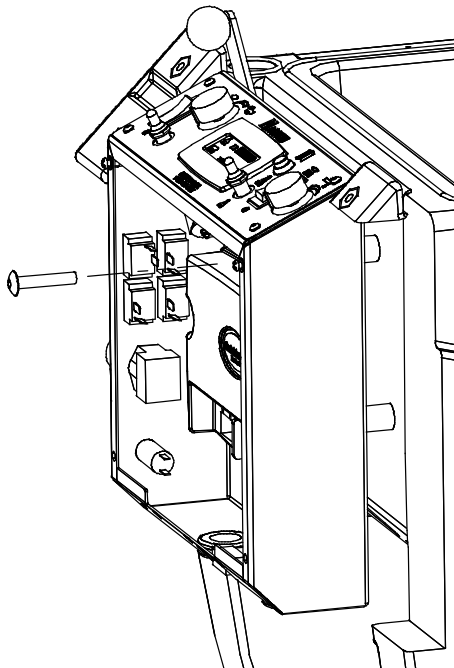
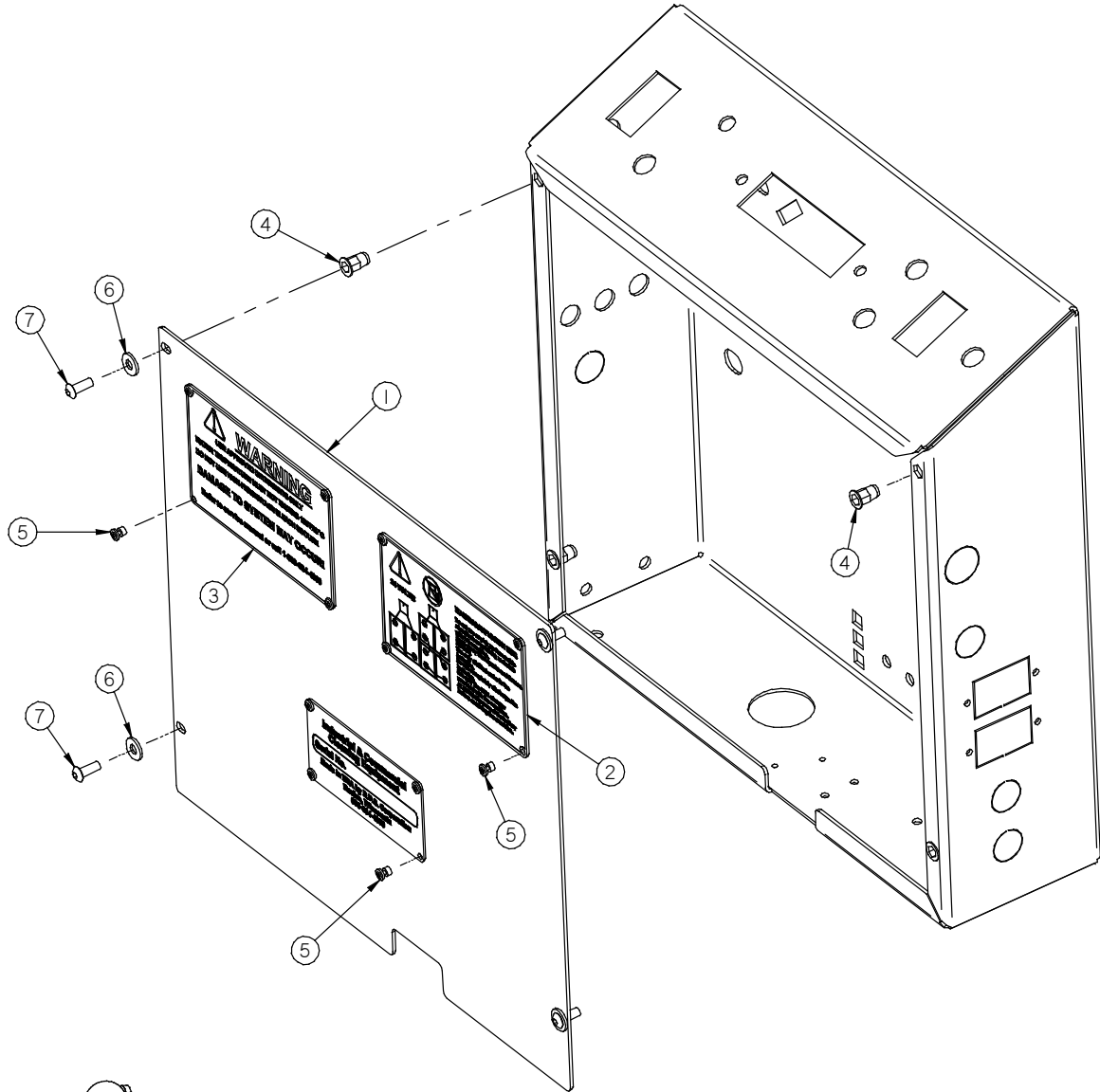
22 Control Panel Assembly



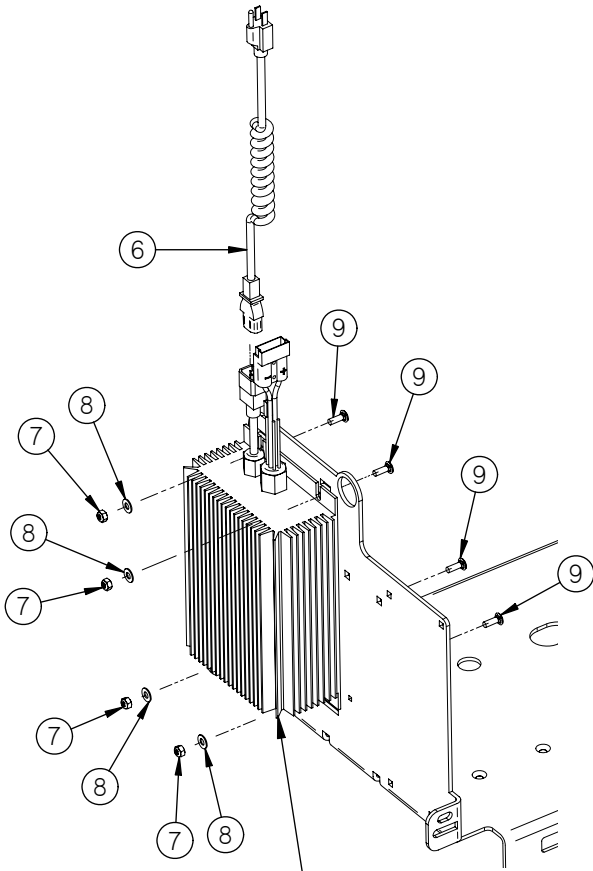
Item	Part Number	Part Description	Qty	Options
1	21-4510	SOLUTION CONTROL KNOB, BLUE	1	
2	21-4520	SPEED CONTROL KNOB, RED	1	
3	253-2010	CONTROL PANEL BOX	1	
4	253-2013	CONTROL PANEL TOP PLATE	1	
5	253-2300	CHARGER STATUS INDICATOR	1	
6	253-283	SWITCH, TOGGLE, ON/OFF/ON (DPDT)	1	
7	290-234	KEY SWITCH	1	OPTIONAL
8	290-234A	KEY SET (REPLACE)	1	OPTIONAL
9	290-2815	CIR. BREAKER - 15A, 24V	1	
10	290-2891	LCD SCREEN	1	
11	5-234	SWITCH, ROCKER, DPDT, ON/ON	1	
12	5-300	EMERGENCY SHUT OFF	1	OPTIONAL
13	5-301	EMERGENCY LEGEND PLATE	1	OPTIONAL
14	5-892	TOGGLE, ON-OFF SPST	3	OPTIONAL
15	5-892A	PROTECTIVE BOOT, TOGGLE SWITCH, (GRAY)	1	OPTIONAL
16	7-229	PUSH BUTTON SWITCH	1	
17	7-283	SWITCH, TOGGLE, MOM/OFF/MOM (DPDT)	2	
18	7-292	5K POTENTIOMETER	2	
19	8-231	SWITCH, ON-OFF ROCKER SPST	1	
20	H-01196	PROTECTIVE BOOT, TOGGLE SWITCH, (RED)	1	
21	H-01197	PROTECTIVE BOOT, TOGGLE SWITCH, (YELLOW)	1	OPTIONAL
22	H-01198	PROTECTIVE BOOT, TOGGLE SWITCH, (GREEN)	1	
23	H-01199	PROTECTIVE BOOT, TOGGLE SWITCH, (BLUE)	1	OPTIONAL
24	H-01200	PROTECTIVE BOOT, TOGGLE SWITCH, (BLACK)	1	
25	H-1032HCN	HCN #10-32	2	
26	H-73743	BHSCS 10-32 X 1/2" SS	1	



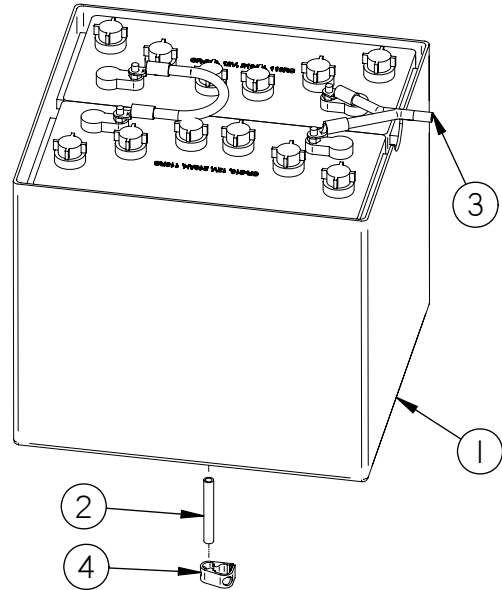
Item	Part Number	Part Description	Qty	Options
1	170-2700	SPACER, 1-1/2" LG	1	
2	21-2211	SPACER 1/2 OD X 1/4"	7	
3	21-2230	MICRO SWITCH	1	OPTIONAL
4	21-7101	LIFT KNOB	1	
5	253-2010	CONTROL PANEL BOX	1	
6	253-2020	BRACKET, LIMIT SWITCH	1	
7	253-7100	SQUEEGEE LIFT LEVER	1	
8	290-2020	BRACKET	1	
9	290-2815	CIR. BREAKER - 15A, 24V	1	
10	390-2899	CONTROLLER V4	1	
11	4-257	CONNECTOR, RED 50, WITH CONTACTS	1	
12	5-223	LIMIT SWITCH	1	
13	5-293	15 AMP RELAY	1	
14	H-0172518	CB #10-32 X 1/2" SS	1	
15	H-28667	PHP MS 4-40 X 3/4"	2	
16	H-29049	PPH #10-32 X 1/2"	2	
17	H-37006	NYLOK #4-40	2	
18	H-37018	NYLOK 1/4"-20	1	
19	H-37408	KN #10-32	1	
20	H-42003	U-BOLT, 1/4-20 X 3/4" ID X 2-1/4" LG, S/S	1	
21	H-70710	HN 1/4"- 20 SS	2	
22	H-70711	HN 5/16"- 18 SS	1	
23	H-70854	NYLOK #4-40 SS	2	
24	H-70855	NYLOK #6-32 SS	2	
25	H-70858	NYLOK #10-32 SS	2	
26	H-70922	KN #8-32	1	
27	H-70923	KN #10-32 SS	2	
28	H-71004	FW 1/8" X 5/16" SS	2	
29	H-71017	FW 3/8 ID X 7/8 OD SS	6	
30	H-71021	FW 1/2 ID X 1-1/4 OD SS	2	
31	H-72388	PPH #6-32 X 3/4" SS	2	
32	H-72398	PPH #8-32 X 1/2" S/S	1	
33	H-72494	PPH #4-40 X 1" S/S	2	
34	H-72515	PPH #10-32 X 1/2" S/S	4	
35	H-73819	BHSCS 3/8"- 16 X 2" S/S	4	
36	H-74417	CB 1/4"- 20 X .5" SS	1	
37	H-74444	CB 3/8"- 16 X 3/4" SS	2	
38	H-76065	FW 1/2" NYLON	2	
39	H-85985	HOLE PLUG 1/2"	3	OPTIONAL
40	H-9307K74	GROMMET, 1" ID X 1-3/4" OD BUNA-N	2	
41	H-NJ04C	JNYL 1/4" - 20 SS	2	
42	H-NJ06C	JNYL 3/8- 16 SS	2	



Item	Part Number	Part Description	Qty	Options
1	253-2006	CONTROL PANEL COVER	1	
2	253-7280	EXPLOSION WARNING PLATE	1	
3	5-728	DETERGENT WARNING PLATE	1	
4	H-1032HCN	HCN #10-32	4	
5	H-41007	AB4-3A BLIND RIVET	12	
6	H-71009	FW #10 SS	4	
7	H-73743	BHSCS 10-32 X 1/2" SS	4	



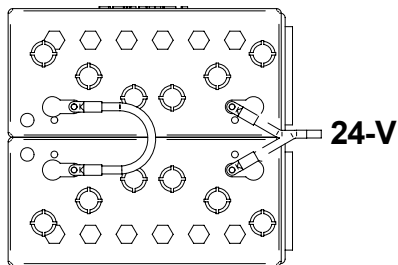
On-Board Charger
(See list below)



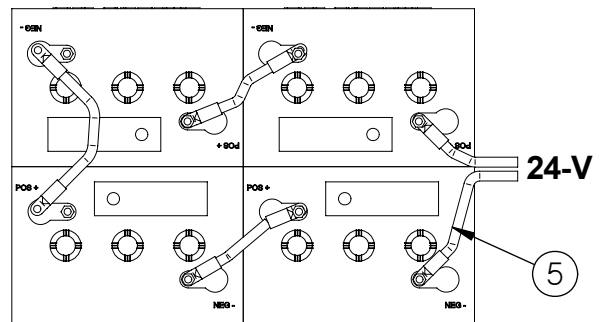
Item	Part Number	Part Description	Qty
1	21-0000	2000 SERIES BATTERY TRAY	1
2	253-1608	BLACK HOSE, 3-1/4" LG	1
3	253-1900	WIRE HARNESS, COMPLETE	1
4	M-503IK12	CLAMP STYLE PINCH VALVE	1
5	253-1901	WIRE HARNESS, COMPLETE	1
6	253-3444	EXTENDED COIL, 16A WG, 3 CONDUCTOR	1
7	H-70860	NYLOK 1/4"- 20 SS	4
8	H-71013	FW 1/4 ID X 5/8 OD SS	4
9	H-74419	CB 1/4"- 20 X .75" SS	4

WHICH BATTERY CHARGER TO USE WITH BATTERY SELECTION				
Battery Part Number & Description	Off-Board Charger North American	Off-Board Charger Export	On-Board Charger North American	On-Board Charger Export
2-271 (12V, 210 AH)	21-2440	21-2442	253-2445	253-2442
250-2113 (6V, 240 AH)	21-2440	21-2442	253-2445	253-2442
370-2117 (6V, 305 AH)	7-244	7-251	N/A	N/A
250-2114 (6V, 260 AH, M.F.)	21-2450	21-2451	253-2452	253-2453
250-2112 (6V, 325 AH, M.F.)	21-2450	21-2451	253-2452	253-2453
253-2110 (12V, 175 AH)	21-2440	21-2442	253-2445	253-2442

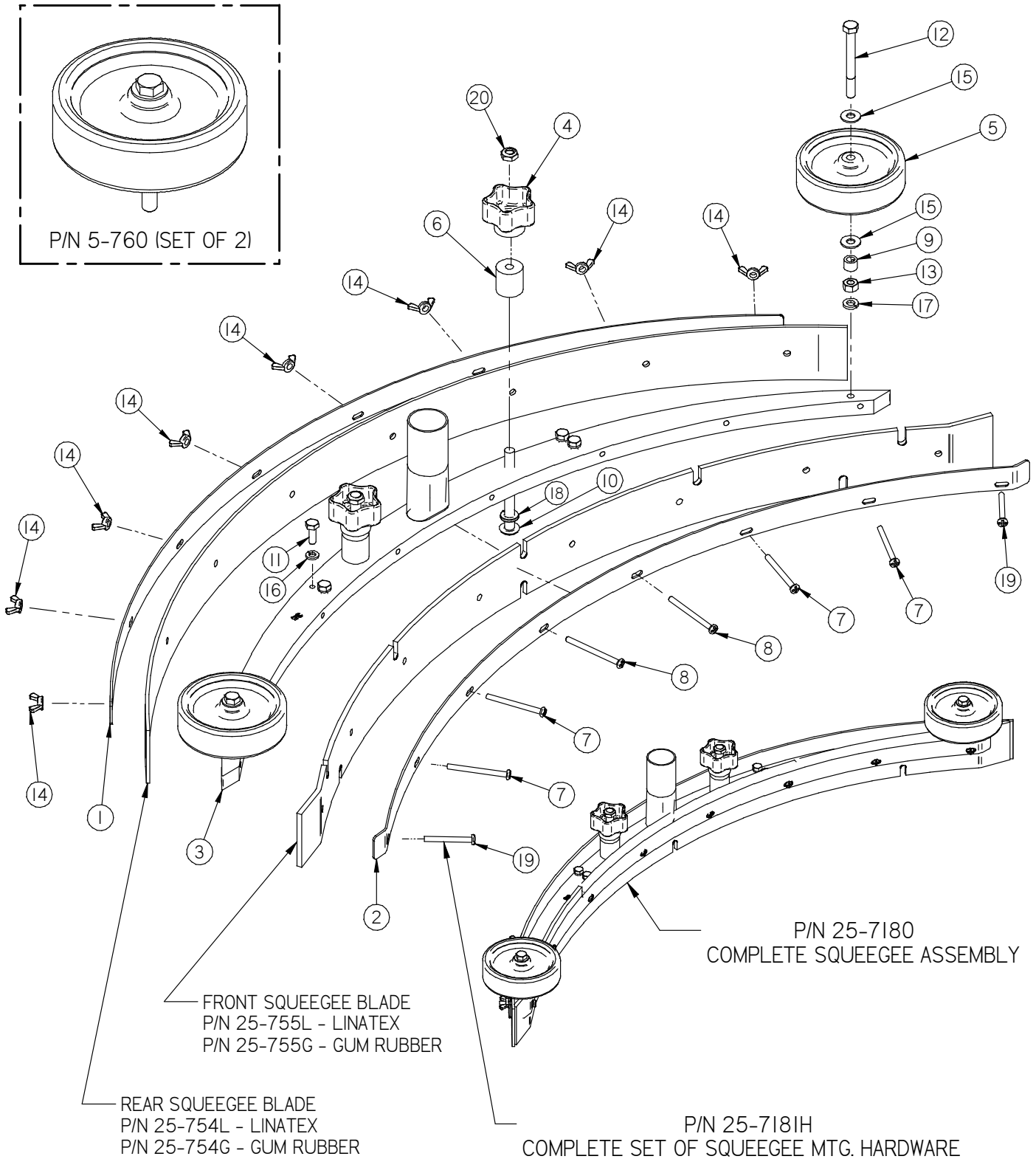
Note: Japan & Korea are not included for list above.



(2) 12-V BATTERY WIRING DIAGRAM

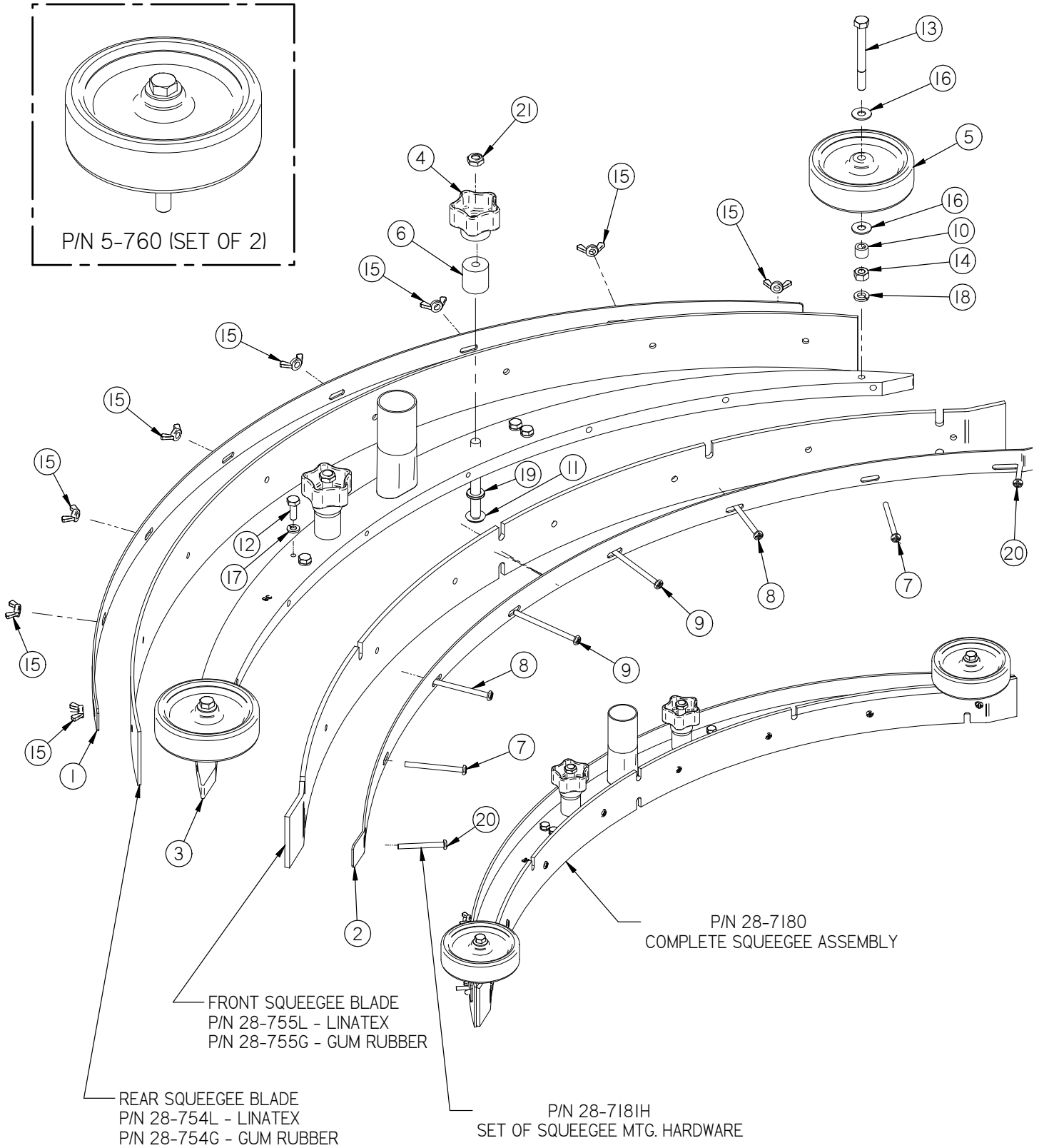


(4) 6-V BATTERY WIRING DIAGRAM



Item	Part No.	Part Description	Qty
1	25-7160	SQUEEGEE BAND, REAR	1
2	25-7170	SQUEEGEE BAND, FRONT	1
3	25-7181	35" SQUEEGEE BODY	1
4	290-5786	STAR KNOB, 3/8-16 THREAD	2
5	5-760B	4" SIDE WHEEL (GREY)	2
6	5-846	STANDOFF, 1.03"	2
7	H-00249	PPH #10-32 X 2 1/4" SS	4
8	H-00288	PPH #10-32 X 2 1/2" SS	2
9	H-33371	5/16" ID SHAFT COLLAR	2
10	H-37350	BHSCS 3/8"- 16 X 3-1/2" S/S	2
11	H-70003	HCS 1/4"- 20 X 3/4" SS	4
12	H-70065	HCS 5/16"- 18 X 3" SS	2
13	H-70711	HN 5/16"- 18 SS	2
14	H-70908	WINGNUT 10-32 SS	8
15	H-71015	FW 5/16" X 3/4" SAE SS	4
16	H-71063	LW 1/4" SS	4
17	H-71065	LW 5/16" SS	2
18	H-71067	LW 3/8" SS	2
19	H-72555	PPH #10-32 X 1 3/4" SS	2
20	H-NJ06C	JNYL 3/8- 16 SS	2

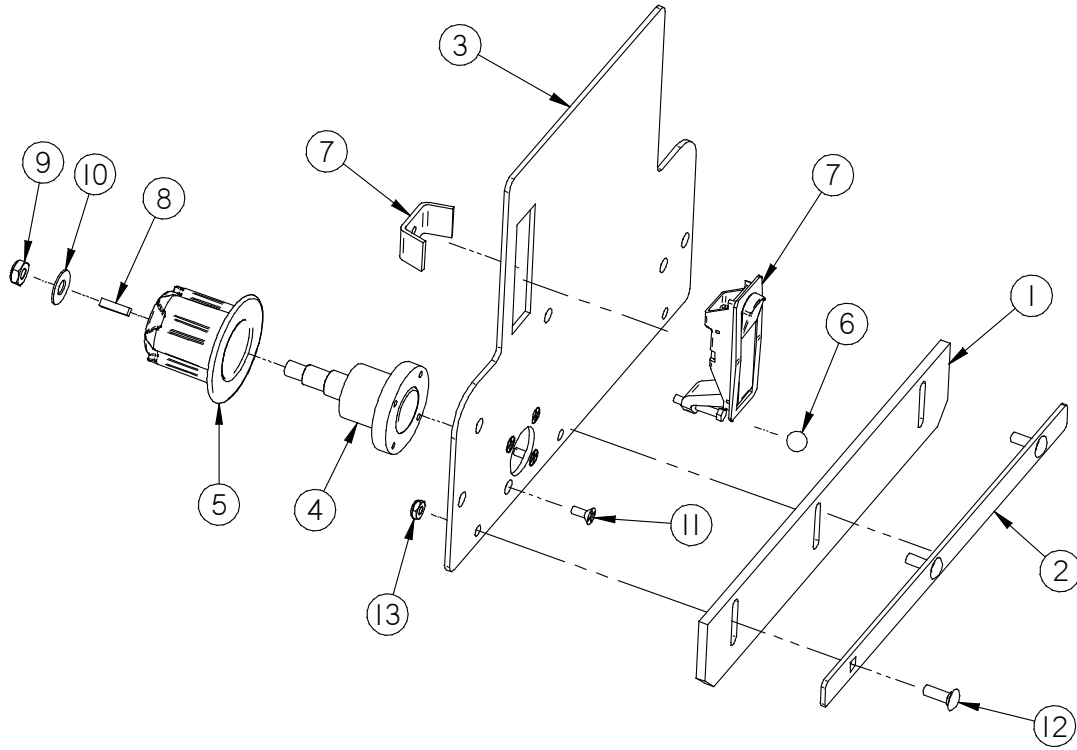
30 38 Inch Squeegee Assembly



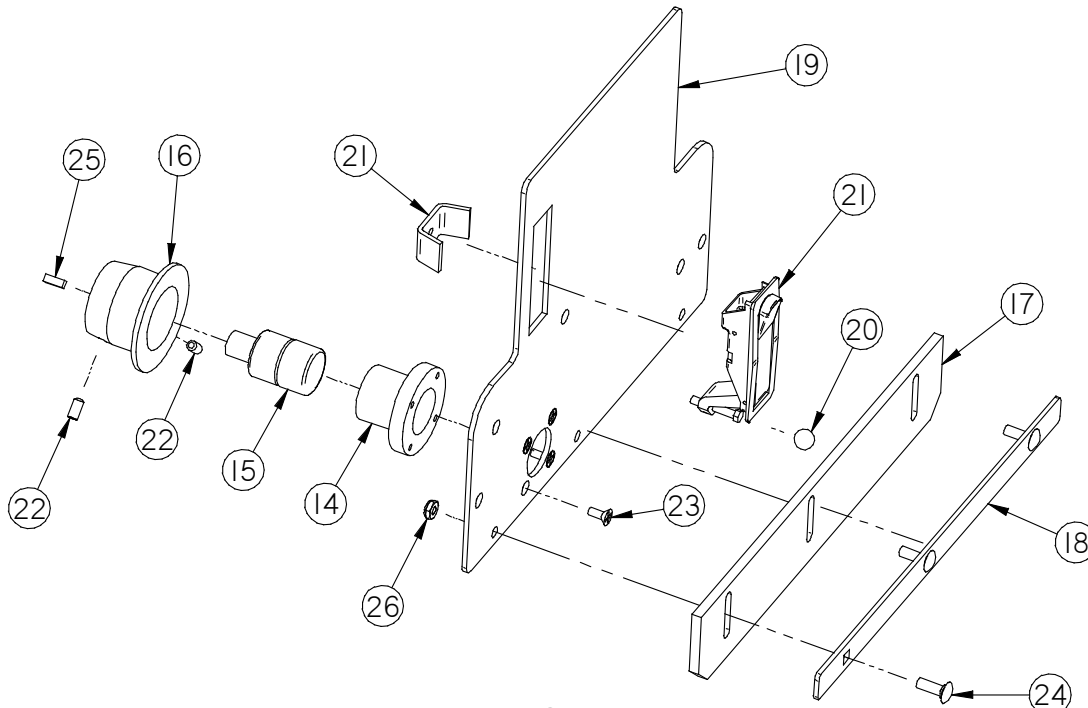
Item	Part No.	Part Description	Qty.
1	28-7160	38" SQUEEGEE BAND, REAR	1
2	28-7170	38" SQUEEGEE BAND, FRONT	1
3	28-7181	38" SQUEEGEE BODY	1
4	290-5786	STAR KNOB, 3/8-16 THREAD	2
5	5-760B	4" SIDE WHEEL (GREY)	2
6	5-846	STANDOFF, 1.03"	2
7	H-00249	PPH #10-32 X 2 1/4" SS	2
8	H-00288	PPH #10-32 X 2 1/2" SS	2
9	H-0170368	PPH #10-32 X 3.0" SS	2
10	H-33371	5/16" ID SHAFT COLLAR	2
11	H-37350	BHSCS 3/8"- 16 X 3-1/2" S/S	2
12	H-70003	HCS 1/4"- 20 X 3/4" SS	4
13	H-70065	HCS 5/16"- 18 X 3" SS	2
14	H-70711	HN 5/16"- 18 SS	2
15	H-70908	WINGNUT 10-32 SS	8
16	H-71015	FW 5/16" X 3/4" SAE SS	4
17	H-71063	LW 1/4" SS	4
18	H-71065	LW 5/16" SS	2
19	H-71067	LW 3/8" SS	2
20	H-72555	PPH #10-32 X 1 3/4" SS	2
21	H-NJ06C	JNYL 3/8- 16 SS	2

CYLINDRICAL DOOR ASSEMBLY

"NEW STYLE" DOOR ASSEMBLY SERIAL #50000 & GREATER



"OLD STYLE" DOOR ASSEMBLY PRIOR TO SERIAL #50000



PAGE 37

CYLINDRICAL DOOR ASSEMBLY

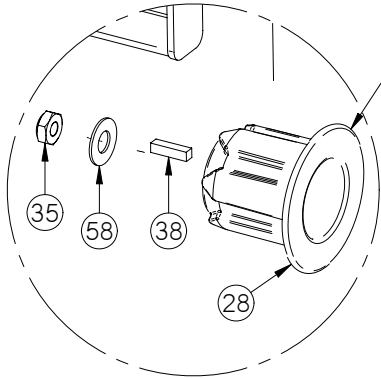
"NEW STYLE" DOOR ASSEMBLY SERIAL #50000 & GREATER

Item	Part Number	Part Description	Qty
1	253-9010	CYLINDRICAL WIPER	1
2	253-9015	WIPER BAND	1
3	253-9022	DRIVE COVER	1
4	370-8241A	IDLER DRIVE BEARING	1
5	370-8370	BRUSH DRIVER/IDLER (NEW STYLE)	1
6	5-100	GROMMET	1
7	5-130	DOOR LATCH	1
8	H-00270	3/16" X 3/4" KEY	1
9	H-0171004	JNYL 3/8- 24 SS	1
10	H-71017	FW 3/8" X 7/8" SS	1
11	H-72682	FHP #10-32 X 1/2" SS	4
12	H-74419	CB 1/4"- 20 X .75" SS	3
13	H-NJ04C	JNYL 1/4" - 20 SS	3

"OLD STYLE" DOOR ASSEMBLY PRIOR TO SERIAL #50000

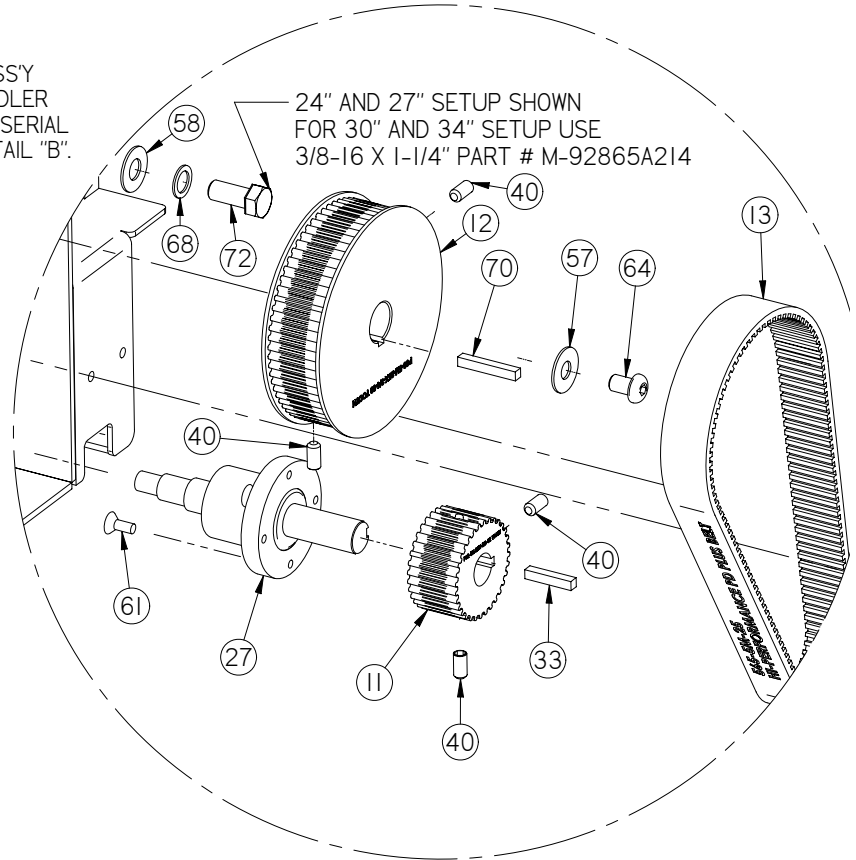
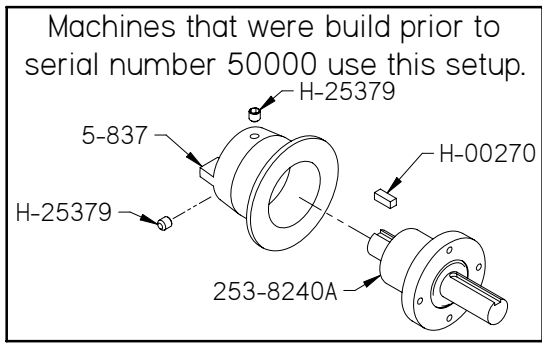
Item	Part Number	Part Description	Qty
14	I-305	BEARING HOUSING	1
15	253-8241	IDLER BEARING	1
16	253-8370	CYLINDRICAL BRUSH IDLER	1
17	253-9010	CYLINDRICAL WIPER	1
18	253-9015	WIPER BAND	1
19	253-9022	DRIVE COVER	1
20	5-100	GROMMET	1
21	5-130	DOOR LATCH	1
22	H-25382	SETSCREW, KCP, 1/4"-20 X 1/2"	2
23	H-72682	FHP #10-32 X 1/2" SS	4
24	H-74419	CB 1/4"- 20 X .75" SS	3
25	H-K1432	3/16" X 1/2" KEY	1
26	H-NJ04C	JNYL 1/4" - 20 SS	3

34 Cylindrical Deck Assembly

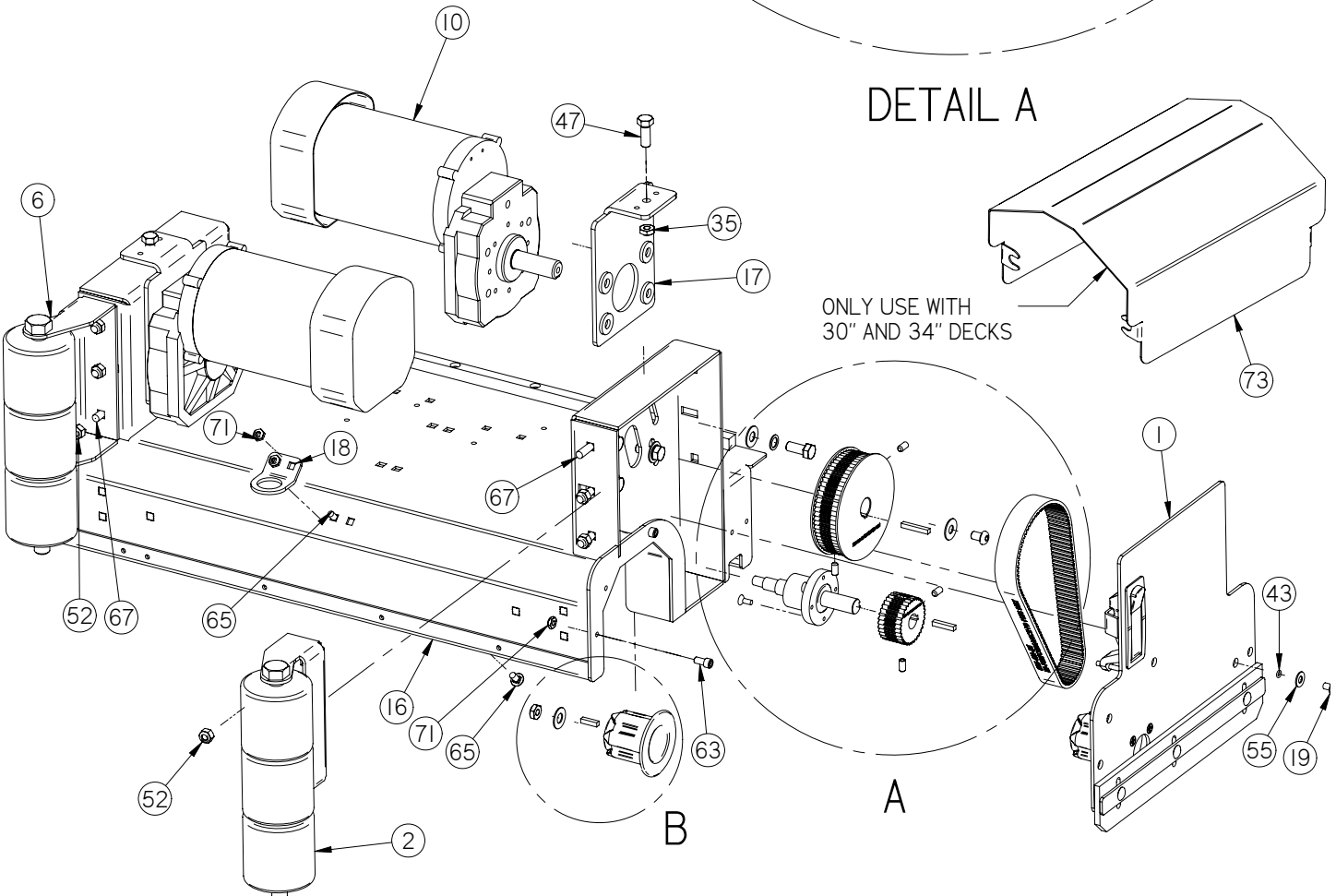


DETAIL B

NOTE:
SEE CYL DOOR ASS'Y
FOR OLD STYLE IDLER
SETUP PRIOR TO SERIAL
#50000 FOR DETAIL "B".



DETAIL A



Item	Part Description	24" P/N PAINTED	24" P/N STAINLESS	27" P/N PAINTED	27" P/N STAINLESS	30" P/N PAINTED	30" P/N STAINLESS	34" P/N PAINTED	34" P/N STAINLESS	Qty
1	CYLINDRICAL DOOR ASSEMBLY									2
2	ROLLER	21-1127								6
3	SPACER 1/2 OD X 1/4"	21-2211								2
4	ADJUSTABLE SOLUTION FLOW VALVE	21-4500								1
5	HOPPER RAIL	22-8320	22-8320	25-8320	25-8320	28-8320	28-8320	32-8320	32-8320	1
6	ROLLER BRACKET	253-1128								2
7	1/2" ID X 2-3/4" LG WIRE REINF. CLEAR TUBE	253-1606								1
8	1/2" ID X 12-1/4" LG WIRE REIF. CLEAR TUBE	253-1607								1
9	1/2" ID X 12-1/4" LG WIRE REINF. CLEAR TUBE	253-1607								1
10	MOTOR, 24V, 3/4 HP, 350 RPM	253-211	253-211	253-211	253-211	253-2222	253-2222	253-2222	253-2222	2
11	TIMING SPROCKET 32 TOOTH	253-8215								2
12	TIMING SPROCKET 68 TOOTH	253-8225								2
13	565-5M-25 HI-PERFORMANCE PD PLUS BELT	253-8230								2
14	DRIVE BEARING	253-8240								1
15	ADJUSTABLE LATERAL ARM BODY	253-8435								2
16	CYLINDRICAL BRUSH-HEAD, 24"	253-9000	253-5000	253-9027	253-5027	253-9030	253-5030	253-9034	253-5034	1
17	MOTOR ADJ BRACKET	253-9002								2
18	QUICK DISCONNECT BRACKET	253-9003								1
19	THUMB SCREW	253-9024								2
20	24" HOPPER	253-9050	253-5050	253-9051	253-5051	253-9052	253-5052	253-9053	253-5053	1
21	CYLINDRICAL LIFTING BRACKET, LH, 24"	253-9070	253-9070	253-9072	253-9072	253-9074	253-9074	253-9076	253-9076	1
22	CYLINDRICAL LIFTING BRACKET, RH, 24"	253-9071	253-9071	253-9073	253-9073	253-9075	253-9075	253-9077	253-9077	1
23	SCRUBDECK LIFT ARM, CYLINDRICAL	253-9590								1
24	3/8" ID, 1/2" OD, 1/4" LG BEARING	290-1233								8
25	ROD END, 3/8-24 LEFT HAND THREAD	290-9584								2
26	ROD END, 3/8-24 RIGHT HAND THREAD	290-9585								2
27	BEARING HOUSING/BEARING	370-8240A								2
28	BRUSH DRIVER/IDLER (NEW STYLE)	370-8370								2
29	BATTERY QUICK DISCONNECT	390-2575								1
30	GROMMET-3/8 ID X 1-1/2 OD X .375	4-446								6
31	RECESSED HANDLE	5-849								1
32	INLINE FILTER	5-913								1
33	3/16" X 1" KEY	H-01125								2
34	JNYL #10-32, 18-8 S/S	H-0129155								13
35	JNYL 3/8- 24 SS	H-0171004								4
36	BHSCS 1/4 - 20 X 1" SS W/PELLET	H-02223								2
37	3/8 ID X 5/8 OD SHIM	H-02949								4
38	3/16" X 3/4" KEY	H-0953152								2
39	HB 5/8"- 11 X 10"	H-11333								2
40	SETSCREW, KCP, 1/4"-20 X 1/2"	H-25382								8
41	LH HX JAM .375-24 SS	H-36956								2
42	JNYL 5/8"- 11	H-37038								2
43	O-RING, 3/16" X 5/16" X #8 BUNA	H-66802								2
44	HCS 1/4"-20 X 1/2 SS"	H-70001								1
45	HCS 3/8"- 16 X 1-1/2" SS	H-70109								2
46	HCS 3/8"- 16 X 1-3/4" SS	H-70110								2
47	HCS 3/8"- 24 X 1" S/S	H-70142								2
48	HN 3/8"-16 SS	H-70712								2
49	HN 1/4"- 28 SS	H-70730								1
50	HX JAM .375-24 SS	H-70832								2
51	NYLOK 1/4"- 20 SS	H-70860								1
52	NYLOK 5/16" - 18 SS	H-70861								16
53	NYLOK 3/8"-16 SS	H-70862								4
54	KN #10-32 SS	H-70923								2
55	FW 1/4 ID X 5/8 OD SS	H-71013								2
56	FW 5/16 ID X 3/4 OD SS	H-71015								5
57	FW 5/16 ID X 7/8 OD SS	H-71016								2
58	FW 3/8 ID X 7/8 OD SS	H-71017								16
59	LW 3/8" SS	H-71067								6
60	PPH #10-32 X 3/4" S/S	H-72534								2
61	FHP #10-32 X 1/2" SS	H-72682								8
62	FHP 10-32 X 3/4" SS	H-72684								6
63	SHCS 1/4-20 X 1/2 SS	H-73459								4
64	BHSCS 5/16-18 X 1/2"	H-73777								2
65	CB 1/4"- 20 X .5" SS	H-74417								4
66	CB 5/16"- 18 X 3/4" SS	H-74429								10
67	CB 5/16"- 18 X 1" SS	H-74430								6
68	WASHER, SERRATED BELLEVILLE, 3/8", S/S	H-90895								8
69	FW 3/8" GRADE 8	H-98025								10
70	3/16" X 1 1/4" KEY	H-K14320								2
71	JNYL 1/4"- 20 SS	H-NJ04C								9
72	HCS 3/8"-24 X 7/8" SS	M-92865A214								8
73	GROMMET, 3/4" ID X 1-3/8" OD BUNA-N	M-9307K81								2
74	3/4" DIA I HOLE TUBE STRAP	M-9434T27								1
73	MOTOR COVER	253-2221								1

NOTE: ALL DECK SIZES USE THE SAME PARTS UNLESS OTHERWISE INDICATED IN COLUMNS ABOVE.

* (OPTIONAL) HD PACKAGE FOR 27" DECKS USE MOTOR P/N 253-2222.

MOTOR P/N 253-2222 LISTED ABOVE IS 24-VOLT, 1 HP, 350 RPM. THIS MOTOR USE'S (8) HCS 3/8-16 X 1", P/N H-70105.

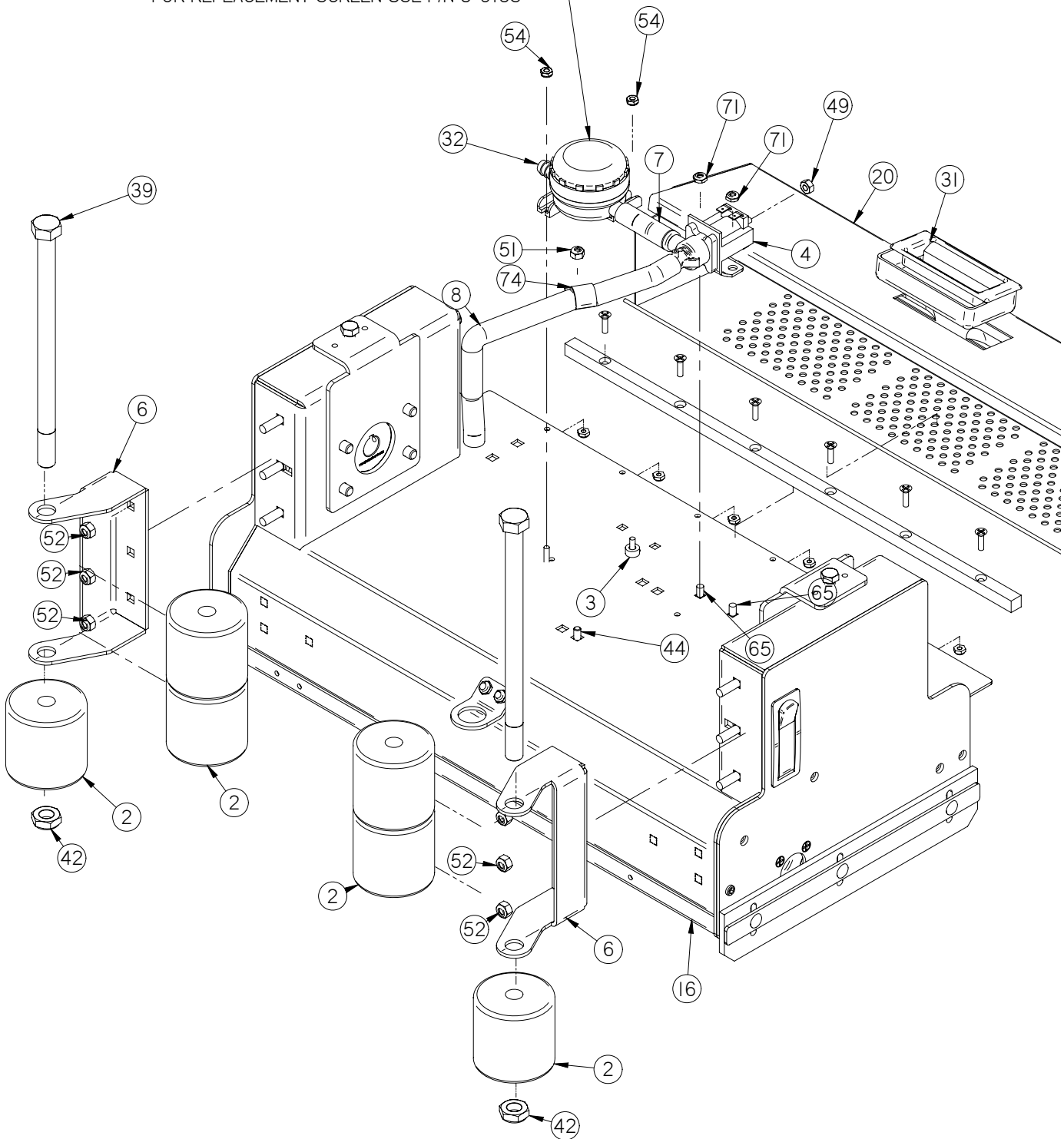
MOTOR COVER P/N 253-2221 IS ONLY USED WITH MOTOR P/N 253-2222.

SEE COMMONWEAR PARTS PAGE FOR BRUSH SELECTION.

SERIAL #50000 35 DATE

36 Cylindrical Deck Assembly

FOR REPLACEMENT SCREEN USE P/N 5-9135



Item	Part Description	24" P/N PAINTED	24" P/N STAINLESS	27" P/N PAINTED	27" P/N STAINLESS	30" P/N PAINTED	30" P/N STAINLESS	34" P/N PAINTED	34" P/N STAINLESS	Qty
1	CYLINDRICAL DOOR ASSEMBLY									2
2	ROLLER	21-1127								6
3	SPACER 1/2 OD X 1/4"	21-2211								2
4	ADJUSTABLE SOLUTION FLOW VALVE	21-4500								1
5	HOPPER RAIL	22-8320	22-8320	25-8320	25-8320	28-8320	28-8320	32-8320	32-8320	1
6	ROLLER BRACKET	253-1128								2
7	1/2" ID X 2-3/4" LG WIRE REINF. CLEAR TUBE	253-1606								1
8	1/2" ID X 12-1/4" LG WIRE REINF. CLEAR TUBE	253-1607								1
9	1/2" ID X 12-1/4" LG WIRE REINF. CLEAR TUBE	253-1607								1
10	MOTOR, 24V, 3/4 HP, 350 RPM	253-211	253-211	253-211	253-211	253-2222	253-2222	253-2222	253-2222	2
11	TIMING SPROCKET 32 TOOTH	253-8215								2
12	TIMING SPROCKET 68 TOOTH	253-8225								2
13	565-5M-25 HI-PERFORMANCE PD PLUS BELT	253-8230								2
14	DRIVE BEARING	253-8240								1
15	ADJUSTABLE LATERAL ARM BODY	253-8435								2
16	CYLINDRICAL BRUSH-HEAD, 24"	253-9000	253-5000	253-9027	253-5027	253-9030	253-5030	253-9034	253-5034	1
17	MOTOR ADJ BRACKET	253-9002								2
18	QUICK DISCONNECT BRACKET	253-9003								1
19	THUMB SCREW	253-9024								2
20	24" HOPPER	253-9050	253-5050	253-9051	253-5051	253-9052	253-5052	253-9053	253-5053	1
21	CYLINDRICAL LIFTING BRACKET, LH, 24"	253-9070	253-9070	253-9072	253-9072	253-9074	253-9074	253-9076	253-9076	1
22	CYLINDRICAL LIFTING BRACKET, RH, 24"	253-9071	253-9071	253-9073	253-9073	253-9075	253-9075	253-9077	253-9077	1
23	SCRUBDECK LIFT ARM, CYLINDRICAL	253-9590								1
24	3/8" ID, 1/2" OD, 1/4" LG BEARING	290-1233								8
25	ROD END, 3/8-24 LEFT HAND THREAD	290-9584								2
26	ROD END, 3/8-24 RIGHT HAND THREAD	290-9585								2
27	BEARING HOUSING/BEARING	370-8240A								2
28	BRUSH DRIVER/IDLER (NEW STYLE)	370-8370								2
29	BATTERY QUICK DISCONNECT	390-2575								1
30	GROMMET-3/8 ID X 1-1/2 OD X .375	4-446								6
31	RECESSED HANDLE	5-849								1
32	INLINE FILTER	5-913								1
33	3/16" X 1" KEY	H-01125								2
34	JNYL #10-32, 18-8 S/S	H-0129155								13
35	JNYL 3/8- 24 SS	H-0171004								4
36	BHSCS 1/4 - 20 X 1" SS W/PELLET	H-02223								2
37	3/8 ID X 5/8 OD SHIM	H-02949								4
38	3/16" X 3/4" KEY	H-0953152								2
39	HB 5/8"- 11 X 10"	H-11333								2
40	SETScrew, KCP, 1/4"-20 X 1/2"	H-25382								8
41	LH HX JAM .375-24 SS	H-36956								2
42	JNYL 5/8"- 11	H-37038								2
43	O-RING, 3/16" X 5/16" X #8 BUNA	H-66802								2
44	HCS 1/4"-20 X 1/2 SS"	H-70001								1
45	HCS 3/8"- 16 X 1-1/2" SS	H-70109								2
46	HCS 3/8"- 16 X 1-3/4" SS	H-70110								2
47	HCS 3/8"- 24 X 1" S/S	H-70142								2
48	HN 3/8"-16 SS	H-70712								2
49	HN 1/4"- 28 SS	H-70730								1
50	HX JAM .375-24 SS	H-70832								2
51	NYLOK 1/4"- 20 SS	H-70860								1
52	NYLOK 5/16" - 18 SS	H-70861								16
53	NYLOK 3/8"-16 SS	H-70862								4
54	KN #10-32 SS	H-70923								2
55	FW 1/4 ID X 5/8 OD SS	H-71013								2
56	FW 5/16 ID X 3/4 OD SS	H-71015								5
57	FW 5/16 ID X 7/8 OD SS	H-71016								2
58	FW 3/8 ID X 7/8 OD SS	H-71017								16
59	LW 3/8" SS	H-71067								6
60	PPH #10-32 X 3/4" S/S	H-72534								2
61	FHP #10-32 X 1/2" SS	H-72682								8
62	FHP 10-32 X 3/4" SS	H-72684								6
63	SHCS 1/4-20 X 1/2 SS	H-73459								4
64	BHSCS 5/16-18 X 1/2"	H-73777								2
65	CB 1/4"- 20 X .5" SS	H-74417								4
66	CB 5/16"- 18 X 3/4" SS	H-74429								10
67	CB 5/16"- 18 X 1" SS	H-74430								6
68	WASHER, SERRATED BELLEVILLE, 3/8", S/S	H-90895								8
69	FW 3/8" GRADE 8	H-98025								10
70	3/16" X 1 1/4" KEY	H-K14320								2
71	JNYL 1/4" - 20 SS	H-NJ04C								9
72	HCS 3/8"-24 X 7/8" SS	M-92865A214								8
73	GROMMET, 3/4" ID X 1-3/8" OD BUNA-N	M-9307K81								2
74	3/4" DIA I HOLE TUBE STRAP	M-9434T27								1
73	MOTOR COVER	253-2221								

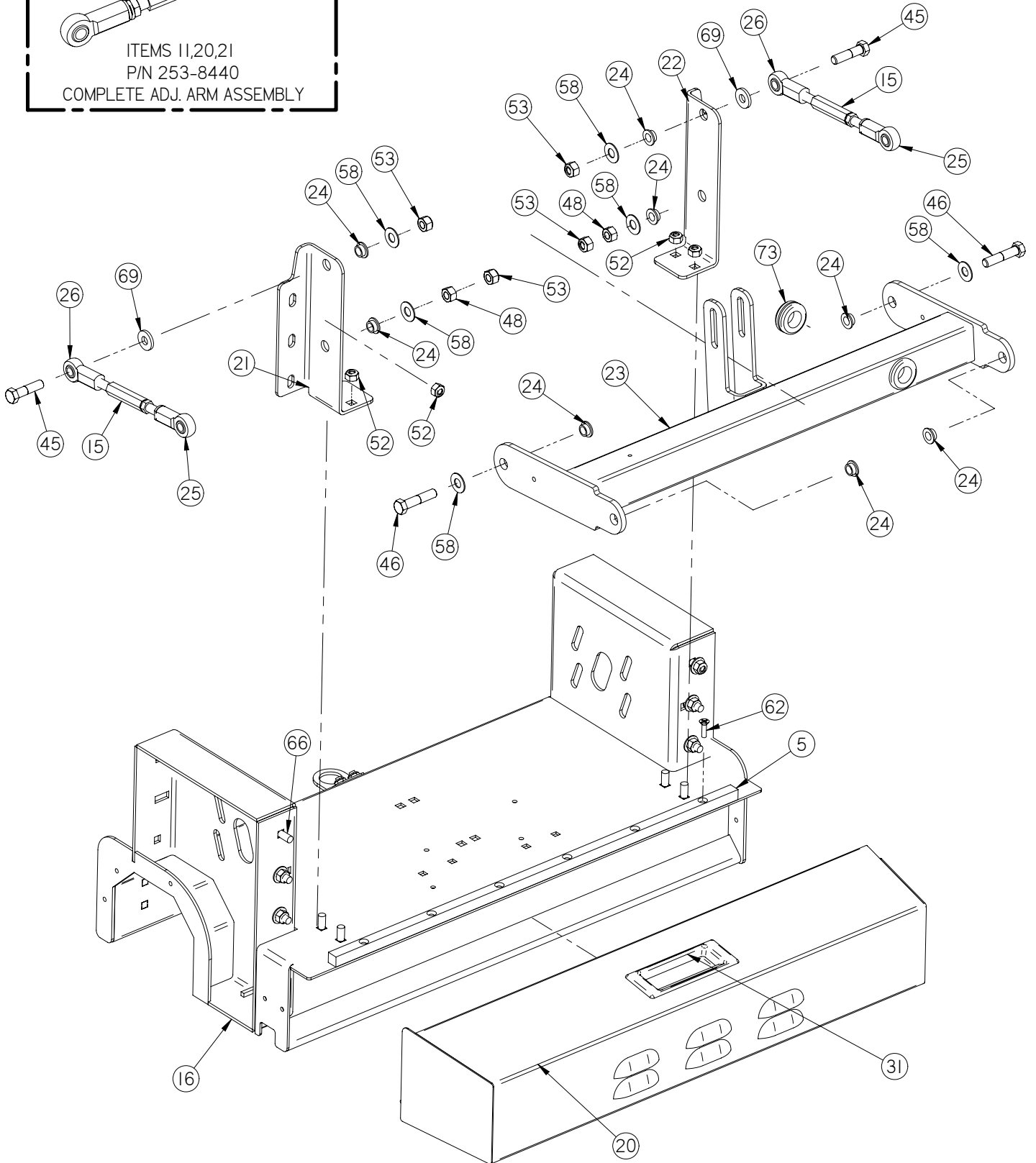
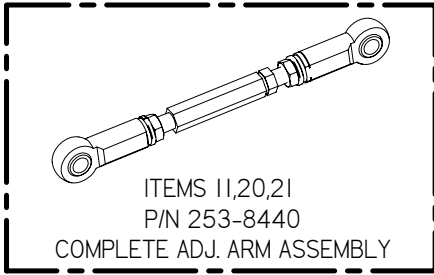
NOTE: ALL DECK SIZES USE THE SAME PARTS UNLESS OTHERWISE INDICATED IN COLUMNS ABOVE.

* (OPTIONAL) HD PACKAGE FOR 27" DECKS USE MOTOR P/N 253-2222.

MOTOR P/N 253-2222 LISTED ABOVE IS 24-VOLT, 1 HP, 350 RPM. THIS MOTOR USE'S (8) HCS 3/8-16 X 1", P/N H-70105.

MOTOR COVER P/N 253-2221 IS ONLY USED WITH MOTOR P/N 253-2222.

SEE COMMON WEAR PARTS PAGE FOR BRUSH SELECTION.



Item	Part Description	24" P/N PAINTED	24" P/N STAINLESS	27" P/N PAINTED	27" P/N STAINLESS	30" P/N PAINTED	30" P/N STAINLESS	34" P/N PAINTED	34" P/N STAINLESS	Qty
1	CYLINDRICAL DOOR ASSEMBLY									2
2	ROLLER	21-1127								6
3	SPACER 1/2 OD X 1/4"	21-2211								2
4	ADJUSTABLE SOLUTION FLOW VALVE	21-4500								1
5	HOPPER RAIL	22-8320	22-8320	25-8320	25-8320	28-8320	28-8320	32-8320	32-8320	1
6	ROLLER BRACKET	253-1128								2
7	1/2" ID X 2-3/4" LG WIRE REINF. CLEAR TUBE	253-1606								1
8	1/2" ID X 12-1/4" LG WIRE REINF. CLEAR TUBE	253-1607								1
9	1/2" ID X 12-1/4" LG WIRE REINF. CLEAR TUBE	253-1607								1
10	MOTOR, 24V, 3/4 HP, 350 RPM	253-211	253-211	253-211	253-211	253-2222	253-2222	253-2222	253-2222	2
11	TIMING SPROCKET 32 TOOTH	253-8215								2
12	TIMING SPROCKET 68 TOOTH	253-8225								2
13	565-5M-25 HI-PERFORMANCE PD PLUS BELT	253-8230								2
14	DRIVE BEARING	253-8240								1
15	ADJUSTABLE LATERAL ARM BODY	253-8435								2
16	CYLINDRICAL BRUSHHEAD, 24"	253-9000	253-5000	253-9027	253-5027	253-9030	253-5030	253-9034	253-5034	1
17	MOTOR ADJ BRACKET	253-9002								2
18	QUICK DISCONNECT BRACKET	253-9003								1
19	THUMB SCREW	253-9024								2
20	24" HOPPER	253-9050	253-5050	253-9051	253-5051	253-9052	253-5052	253-9053	253-5053	1
21	CYLINDRICAL LIFTING BRACKET, LH, 24"	253-9070	253-9070	253-9072	253-9072	253-9074	253-9074	253-9076	253-9076	1
22	CYLINDRICAL LIFTING BRACKET, RH, 24"	253-9071	253-9071	253-9073	253-9073	253-9075	253-9075	253-9077	253-9077	1
23	SCRUBDECK LIFT ARM, CYLINDRICAL	253-9590								1
24	3/8" ID, 1/2" OD, 1/4" LG BEARING	290-1233								8
25	ROD END, 3/8"-24 LEFT HAND THREAD	290-9584								2
26	ROD END, 3/8"-24 RIGHT HAND THREAD	290-9585								2
27	BEARING HOUSING/BEARING	370-8240A								2
28	BRUSH DRIVER/IDLER (NEW STYLE)	370-8370								2
29	BATTERY QUICK DISCONNECT	390-2575								1
30	GROMMET-3/8 ID X 1-1/2 OD X .375	4-446								6
31	RECESSED HANDLE	5-849								1
32	INLINE FILTER	5-913								1
33	3/16" X 1" KEY	H-01125								2
34	JNYL #10-32, 18-8 S/S	H-0129155								13
35	JNYL 3/8- 24 SS	H-0171004								4
36	BHSCS 1/4 - 20 X 1" SS W/PELLET	H-02223								2
37	3/8 ID X 5/8 OD SHIM	H-02949								4
38	3/16" X 3/4" KEY	H-0953152								2
39	HB 5/8"- 11 X 10"	H-11333								2
40	SETSCREW, KCP, 1/4"-20 X 1/2"	H-25382								8
41	LH HX JAM .375-24 SS	H-36956								2
42	JNYL 5/8"- 11	H-37038								2
43	O-RING, 3/16" X 5/16" X #8 BUNA	H-66802								2
44	HCS 1/4"-20 X 1/2 SS"	H-70001								1
45	HCS 3/8"- 16 X 1-1/2" SS	H-70109								2
46	HCS 3/8"- 16 X 1-3/4" SS	H-70110								2
47	HCS 3/8"- 24 X 1" S/S	H-70142								2
48	HN 3/8"-16 SS	H-70712								2
49	HN 1/4"- 28 SS	H-70730								1
50	HX JAM .375-24 SS	H-70832								2
51	NYLOK 1/4"- 20 SS	H-70860								1
52	NYLOK 5/16" - 18 SS	H-70861								16
53	NYLOK 3/8"-16 SS	H-70862								4
54	KN #10-32 SS	H-70923								2
55	FW 1/4 ID X 5/8 OD SS	H-71013								2
56	FW 5/16 ID X 3/4 OD SS	H-71015								5
57	FW 5/16 ID X 7/8 OD SS	H-71016								2
58	FW 3/8 ID X 7/8 OD SS	H-71017								16
59	LW 3/8" SS	H-71067								6
60	PPH #10-32 X 3/4" S/S	H-72534								2
61	FHP #10-32 X 1/2" SS	H-72682								8
62	FHP 10-32 X 3/4" SS	H-72684								6
63	SHCS 1/4-20 X 1/2 SS	H-73459								4
64	BHSCS 5/16-18 X 1/2"	H-73777								2
65	CB 1/4"- 20 X .5" SS	H-74417								4
66	CB 5/16"- 18 X 3/4" SS	H-74429								10
67	CB 5/16"- 18 X 1" SS	H-74430								6
68	WASHER, SERRATED BELLEVILLE, 3/8", S/S	H-90895								8
69	FW 3/8" GRADE 8	H-98025								10
70	3/16" X 1 1/4" KEY	H-K14320								2
71	JNYL 1/4" - 20 SS	H-NJ04C								9
72	HCS 3/8"-24 X 7/8" SS	M-92865A214								8
73	GROMMET, 3/4" ID X 1-3/8" OD BUNA-N	M-9307K81								2
74	3/4" DIA 1 HOLE TUBE STRAP	M-9434T27								1
73	MOTOR COVER	253-2221								1

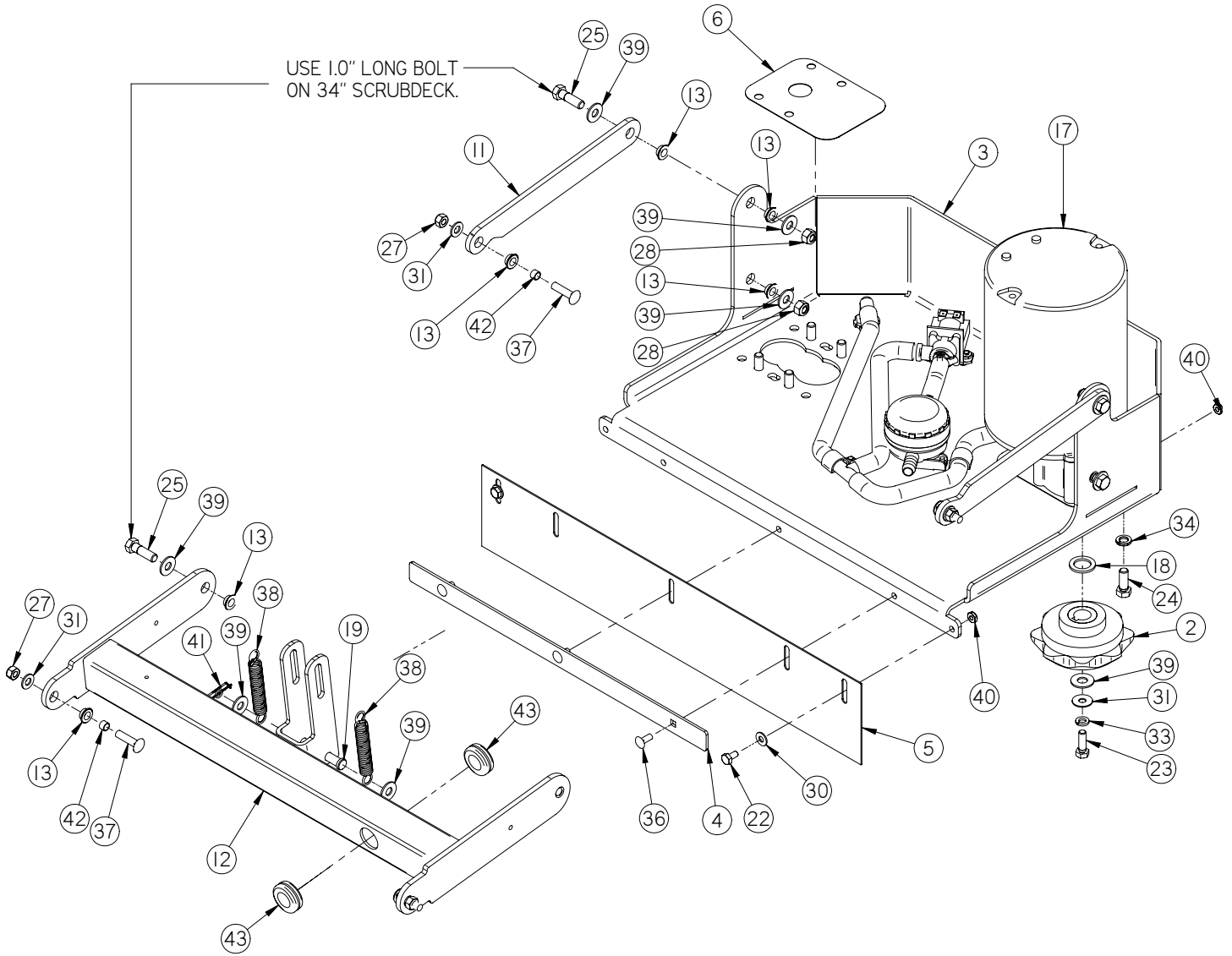
NOTE: ALL DECK SIZES USE THE SAME PARTS UNLESS OTHERWISE INDICATED IN COLUMNS ABOVE.

* (OPTIONAL) HD PACKAGE FOR 27" DECKS USE MOTOR P/N 253-2222.

MOTOR P/N 253-2222 LISTED ABOVE IS 24-VOLT, 1 HP, 350 RPM. THIS MOTOR USE'S (8) HCS 3/8-16 X 1", P/N H-70105.

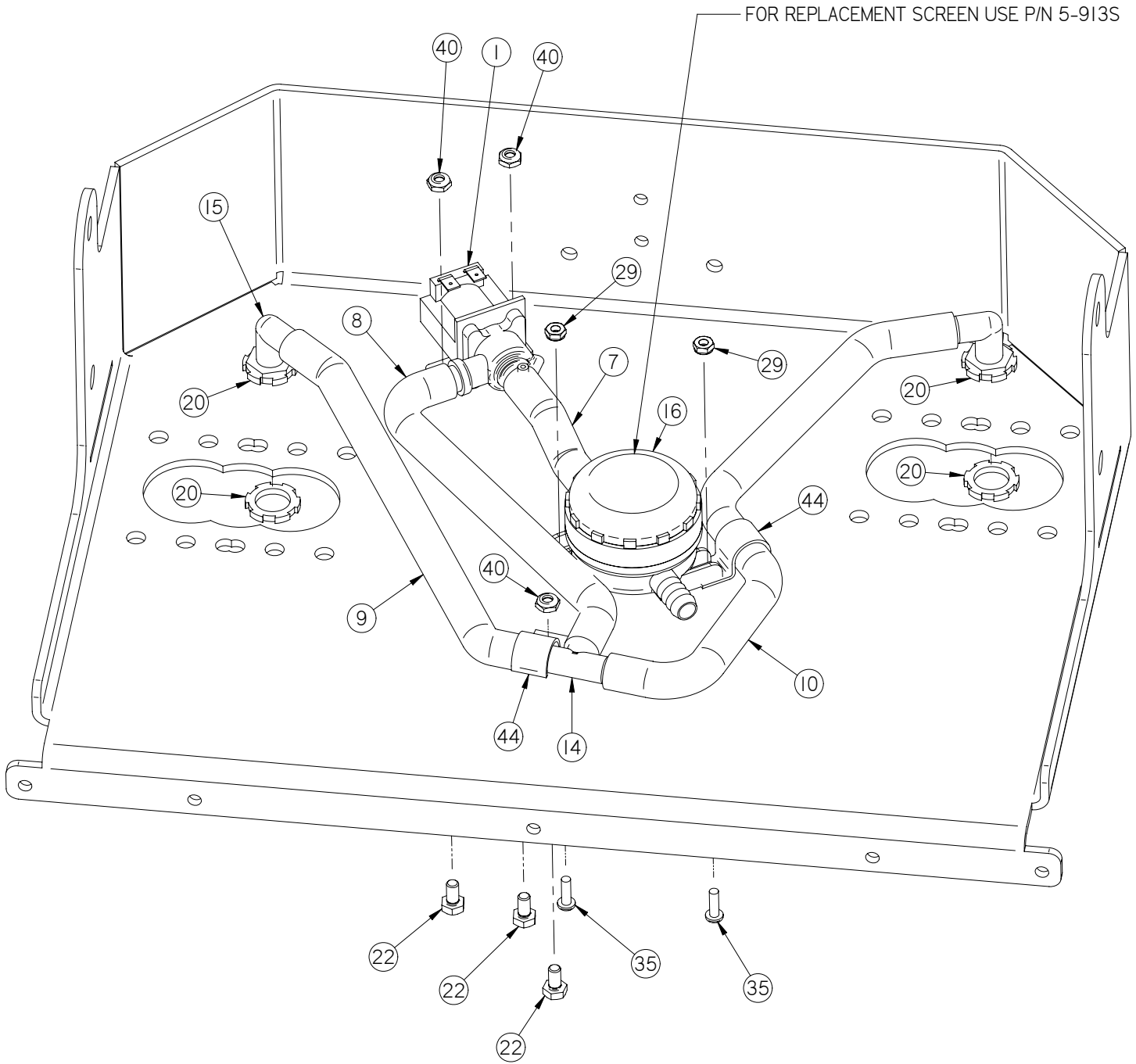
MOTOR COVER P/N 253-2221 IS ONLY USED WITH MOTOR P/N 253-2222.

SEE COMMON WEAR PARTS PAGE FOR BRUSH SELECTION.



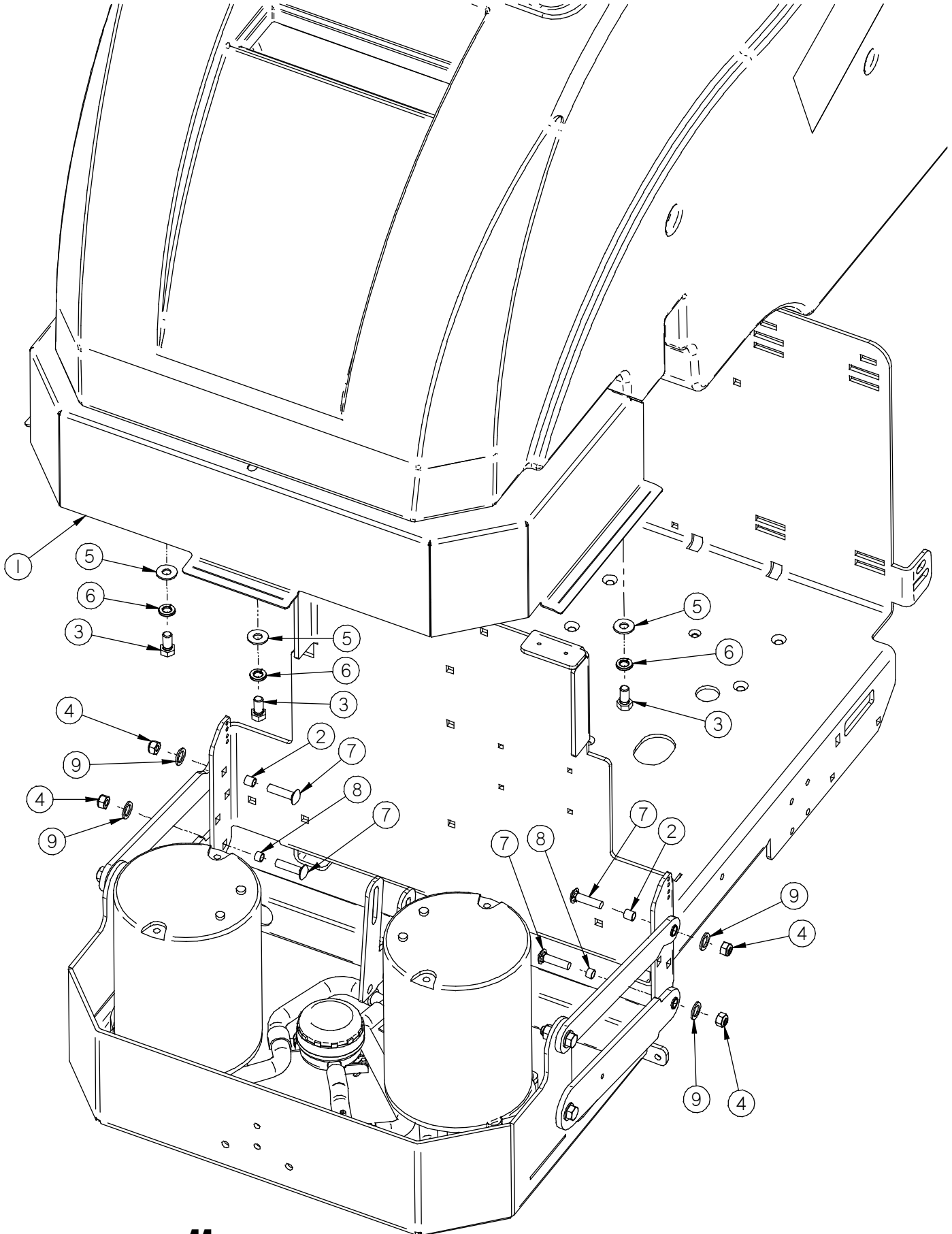
Item	Part Number	Stainless P/N	Part Description	Comments	Optional P/N	Optional Description	Qty
1	21-4500		ADJUSTABLE SOLUTION FLOW VALVE				1
2	21-5000		BRUSH DRIVER				2
3	253-0402	253-0405	DISK SCRUB DECK				1
4	253-1020		BAND, FRAME CURTAIN				1
5	253-1090		DISK DECK CURTAIN				1
6	253-1140		BRUSH MOTOR CAP	OPTIONAL			2
7	253-1600		1/2" ID X 3-3/4" LG WIRE REINF. CLEAR TUBE				1
8	253-1601		1/2" ID X 9-1/4" LG WIRE REINF. CLEAR TUBE				1
9	253-1602		1/2" ID X 12-1/4" LG WIRE REINF. CLEAR TUBE				1
10	253-1603		1/2" ID X 16-1/4" LG WIRE REINF. CLEAR TUBE				1
11	253-4025		LATERAL ARM				2
12	253-9586		SCRUBDECK LIFT ARM, DISK				1
13	290-1233		3/8" ID, 1/2" OD, 1/4" LG BEARING				12
14	5-446		1/2" PLASTIC BARB TEE				1
15	5-447		1/2 NPT X 1/2" BARB ELBOW				2
16	5-913		INLINE FILTER				1
17	7-222		MOTOR, 24-V, 3/4 HP, 200 RPM		5-222	MOTOR, 24-V, 1 HP, 200 RPM	2
18	H-00222		FW 3/4 X 1 1/8 X 3/32 SS				2
19	H-0156943		3/8" X 3-1/2" CLEVIS PIN				1
20	H-07005		1/2" NPT LOCKNUT				4
21	H-33080		FW 5/16" SS				4
22	H-70001		HCS 1/4"-20 X 1/2 SS"				5
23	H-70055		HCS 5/16"- 18 X 1" SS				2
24	H-70105		HCS 3/8"- 16 X 1" SS				8
25	H-70107		HCS 3/8"- 16 X 1-1/4" SS				4
26	H-70730		HN 1/4"- 28 SS				1
27	H-70861		NYLOK 5/16" - 18 SS				4
28	H-70862		NYLOK 3/8"-16 SS				4
29	H-70923		KN #10-32 SS				2
30	H-71013		FNW 1/4" X 5/8" SS				2
31	H-71016		FW 5/16" X 7/8" SS				2
32	H-71017		FW 3/8" X 7/8" SS				10
33	H-71065		LW 5/16" SS				2
34	H-71067		LW 3/8" SS				8
35	H-72517		PPH #10-32 X 5/8" SS				2
36	H-74418		CB 1/4"- 20 X 5/8" S/S				3
37	H-74431		CB 5/16"- 18 X 1-1/4" SS				4
38	H-96544		SPRING, 4-1/8" LG X 9/16" OD (42E)				2
39	H-99001		FW 3/8" SS				2
40	H-NJ04C		JNYL 1/4" - 20 SS				8
41	H-RUE14		3/8" RUE RING COTTER				1
42	M-6391K403		.312 ID X .375 OD X .25 LG BEARING SLEEVE				4
43	M-9307K81		GROMMET, 3/4" ID X 1-3/8" OD BUNA-N				2
44	M-9434T27		3/4" DIA 1 HOLE TUBE STRAP				2

42 Disk Scrub Deck Assembly



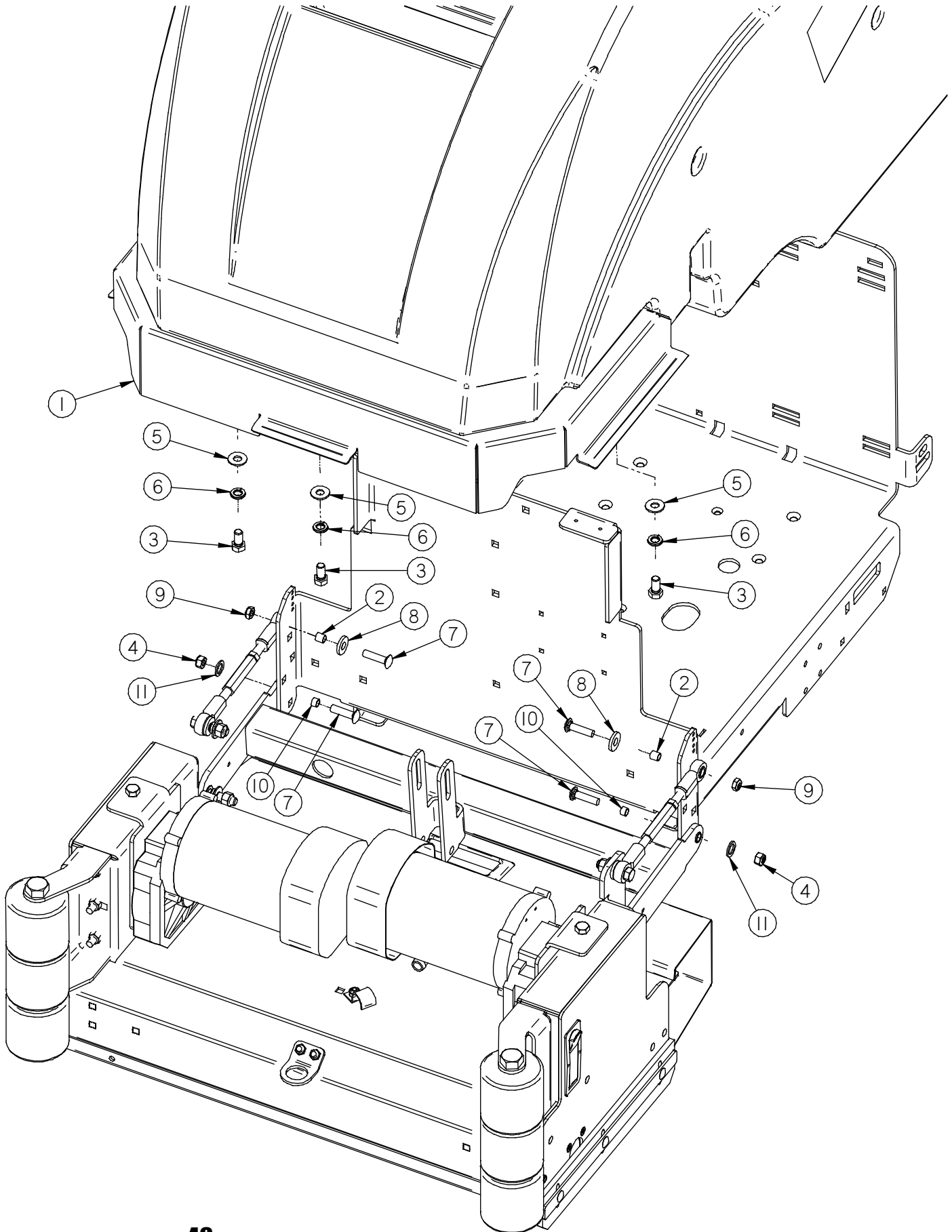
Item	Part Number	Stainless P/N	Part Description	Comments	Optional P/N	Optional Description	Qty
1	21-4500		ADJUSTABLE SOLUTION FLOW VALVE				1
2	21-5000		BRUSH DRIVER				2
3	253-0402	253-0405	DISK SCRUB DECK				1
4	253-1020		BAND, FRAME CURTAIN				1
5	253-1090		DISK DECK CURTAIN				1
6	253-1140		BRUSH MOTOR CAP	OPTIONAL			2
7	253-1600		1/2" ID X 3-3/4" LG WIRE REINF. CLEAR TUBE				1
8	253-1601		1/2" ID X 9-1/4" LG WIRE REINF. CLEAR TUBE				1
9	253-1602		1/2" ID X 12-1/4" LG WIRE REINF. CLEAR TUBE				1
10	253-1603		1/2" ID X 16-1/4" LG WIRE REINF. CLEAR TUBE				1
11	253-4025		LATERAL ARM				2
12	253-9586		SCRUBDECK LIFT ARM, DISK				1
13	290-1233		3/8" ID, 1/2" OD, 1/4" LG BEARING				12
14	5-446		1/2 " PLASTIC BARB TEE				1
15	5-447		1/2 NPT X 1/2" BARB ELBOW				2
16	5-913		INLINE FILTER				1
17	7-222		MOTOR, 24-V, 3/4 HP, 200 RPM		5-222	MOTOR, 24-V, 1 HP, 200 RPM	2
18	H-00222		FW 3/4 X 1 1/8 X 3/32 SS				2
19	H-0156943		3/8" X 3-1/2" CLEVIS PIN				1
20	H-07005		1/2" NPT LOCKNUT				4
21	H-33080		FW 5/16" SS				4
22	H-70001		HCS 1/4"-20 X 1/2 SS"				5
23	H-70055		HCS 5/16"- 18 X 1" SS				2
24	H-70105		HCS 3/8"- 16 X 1" SS				8
25	H-70107		HCS 3/8"- 16 X 1-1/4" SS				4
26	H-70730		HN 1/4"- 28 SS				1
27	H-70861		NYLOK 5/16" - 18 SS				4
28	H-70862		NYLOK 3/8"-16 SS				4
29	H-70923		KN #10-32 SS				2
30	H-71013		FNW 1/4" X 5/8" SS				2
31	H-71016		FW 5/16" X 7/8" SS				2
32	H-71017		FW 3/8" X 7/8" SS				10
33	H-71065		LW 5/16" SS				2
34	H-71067		LW 3/8" SS				8
35	H-72517		PPH #10-32 X 5/8" SS				2
36	H-74418		CB 1/4"- 20 X 5/8" S/S				3
37	H-74431		CB 5/16"- 18 X 1-1/4" SS				4
38	H-96544		SPRING, 4-1/8" LG X 9/16" OD (42E)				2
39	H-99001		FW 3/8" SS				2
40	H-NJ04C		JNYL 1/4" - 20 SS				8
41	H-RUE14		3/8" RUE RING COTTER				1
42	M-6391K403		.312 ID X .375 OD X .25 LG BEARING SLEEVE				4
43	M-9307K81		GROMMET, 3/4" ID X 1-3/8" OD BUNA-N				2
44	M-9434T27		3/4" DIA I HOLE TUBE STRAP				2

44 Attach Disk Scrub Deck and Bandeau Cover

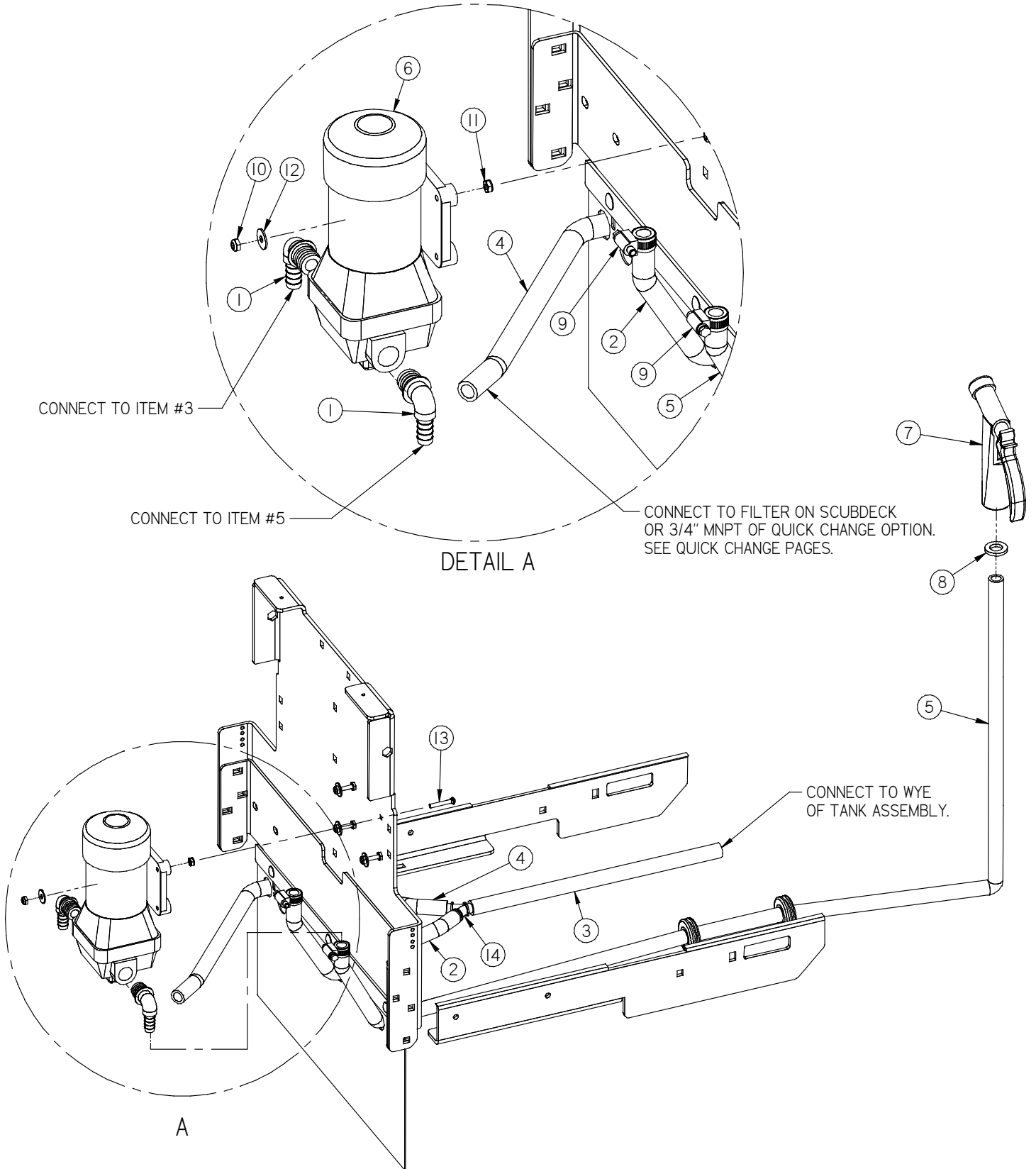


Item	Part Number	Part Description	Qty
1	253-1142	BANDEAU COVER, DISK	1
2	H-25336	.312 ID X .375 OD X .375 LG BEARING SLEEVE	2
3	H-70103	HCS 3/8"-16 X 3/4" SS	3
4	H-70861	NYLOK 5/16" - 18 SS	4
5	H-71017	FW 3/8" X 7/8" SS	3
6	H-71067	LW 3/8" SS	3
7	H-74431	CB 5/16"- 18 X 1-1/4" SS	4
8	M-6391K403	.312 ID X .375 OD X .25 LG BEARING SLEEVE	2
9	M-98126A739	SHIM, 1/2" ID X 3/4" OD X 1/16" THICK, S/S	4

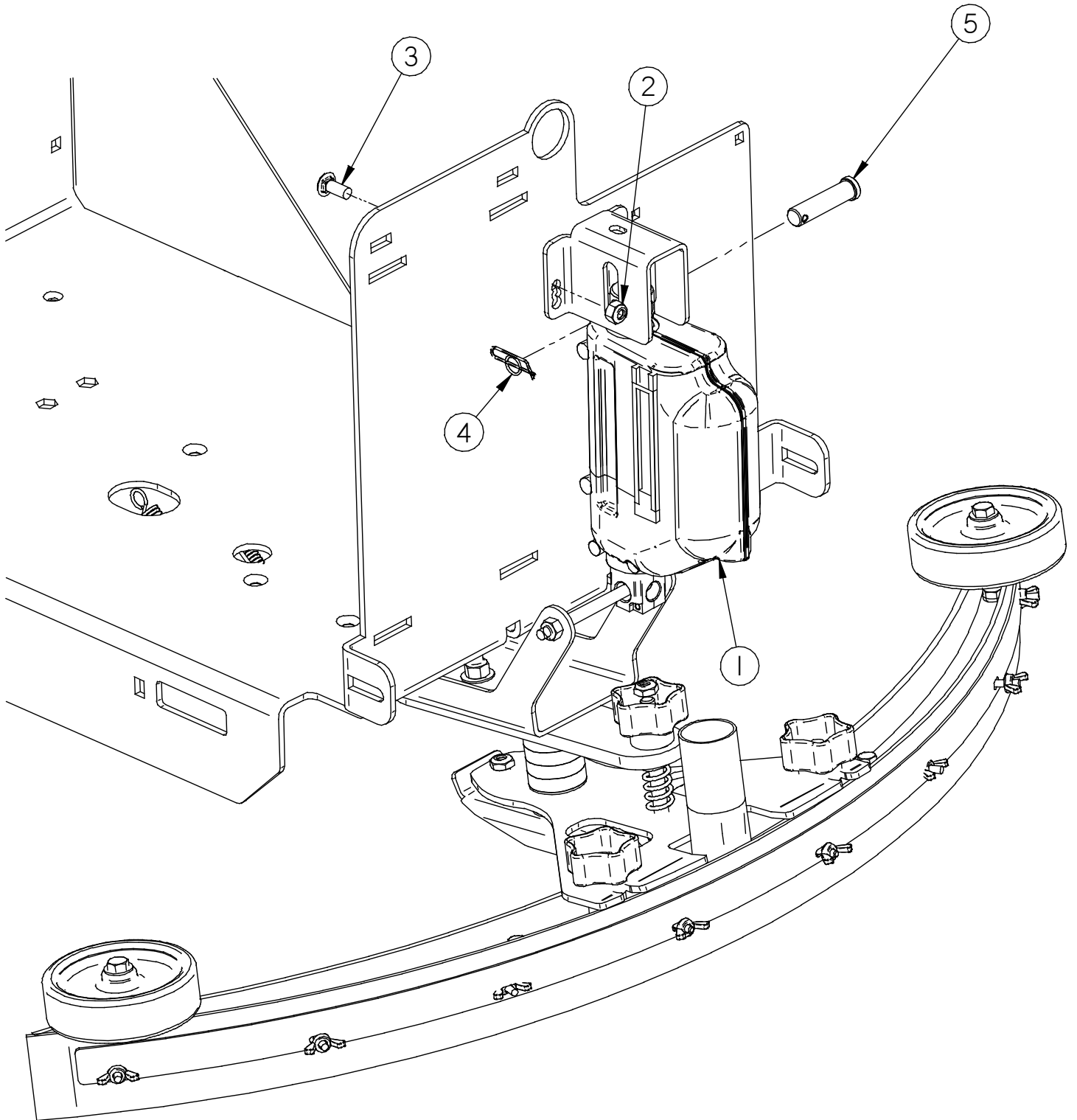
46 Attach Cylindrical Scrub Deck and Bandeau Cover



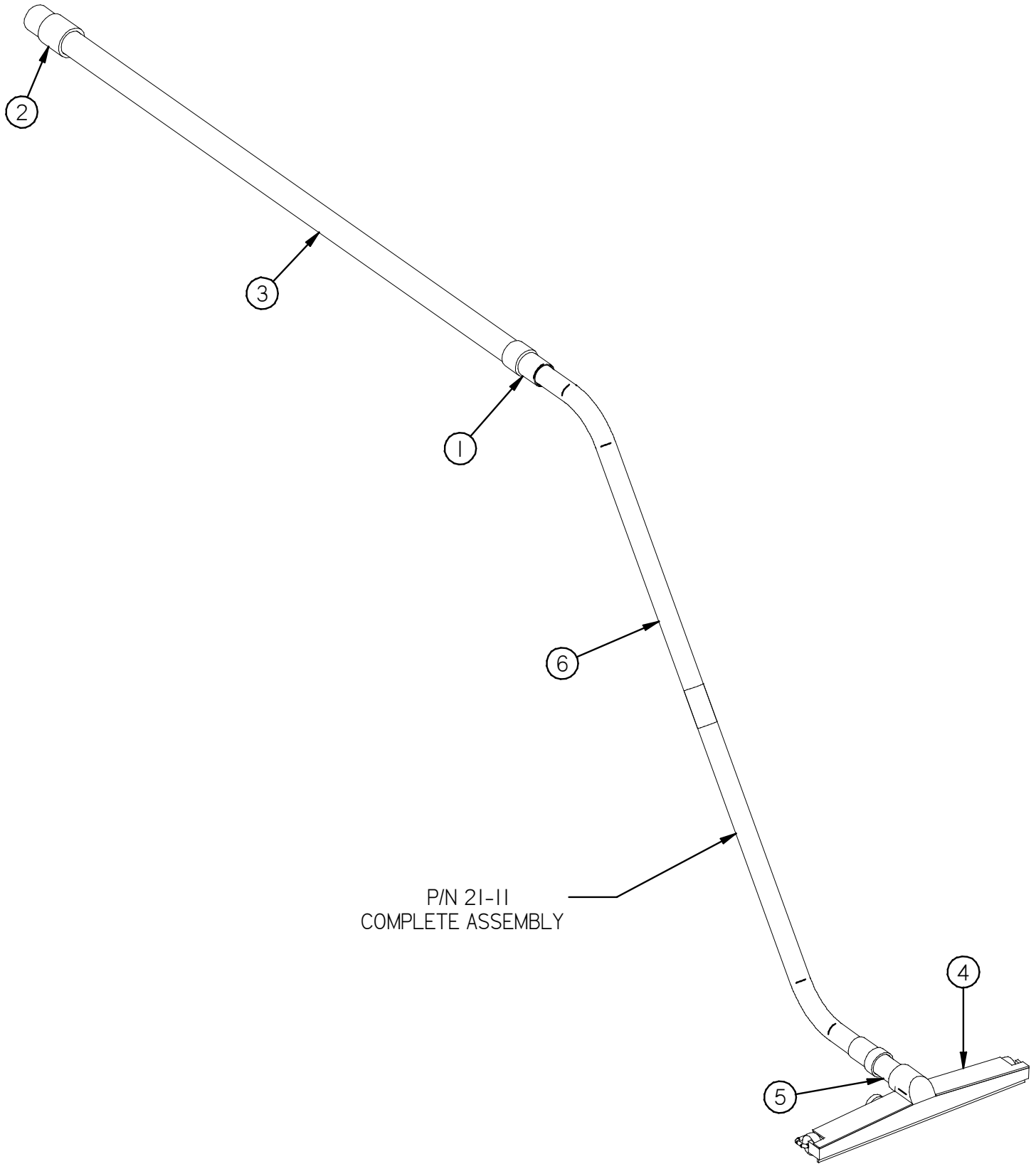
Item	Part Number	Part Description	Optional P/N	Optional Description	Qty
1	253-1143	BANDEAU COVER, CYLINDRICAL	253-1144	BANDEAU COVER, SIDE BROOMS	1
2	H-25336	.312 ID X .375 OD X .375 LG BEARING SLEEVE			2
3	H-70103	HCS 3/8"-16 X 3/4" SS			3
4	H-70861	NYLOK 5/16" - 18 SS			2
5	H-71017	FW 3/8" X 7/8" SS			3
6	H-71067	LW 3/8" SS			3
7	H-74431	CB 5/16"- 18 X 1-1/4" SS			4
8	H-98025	FW 3/8" GRADE 8			2
9	H-NJ05C	JNYL 5/16"- 18 SS			2
10	M-6391K403	.312 ID X .375 OD X .25 LG BEARING SLEEVE			2
11	M-98126A739	SHIM, 1/2" ID X 3/4" OD X 1/16" THICK, S/S			2



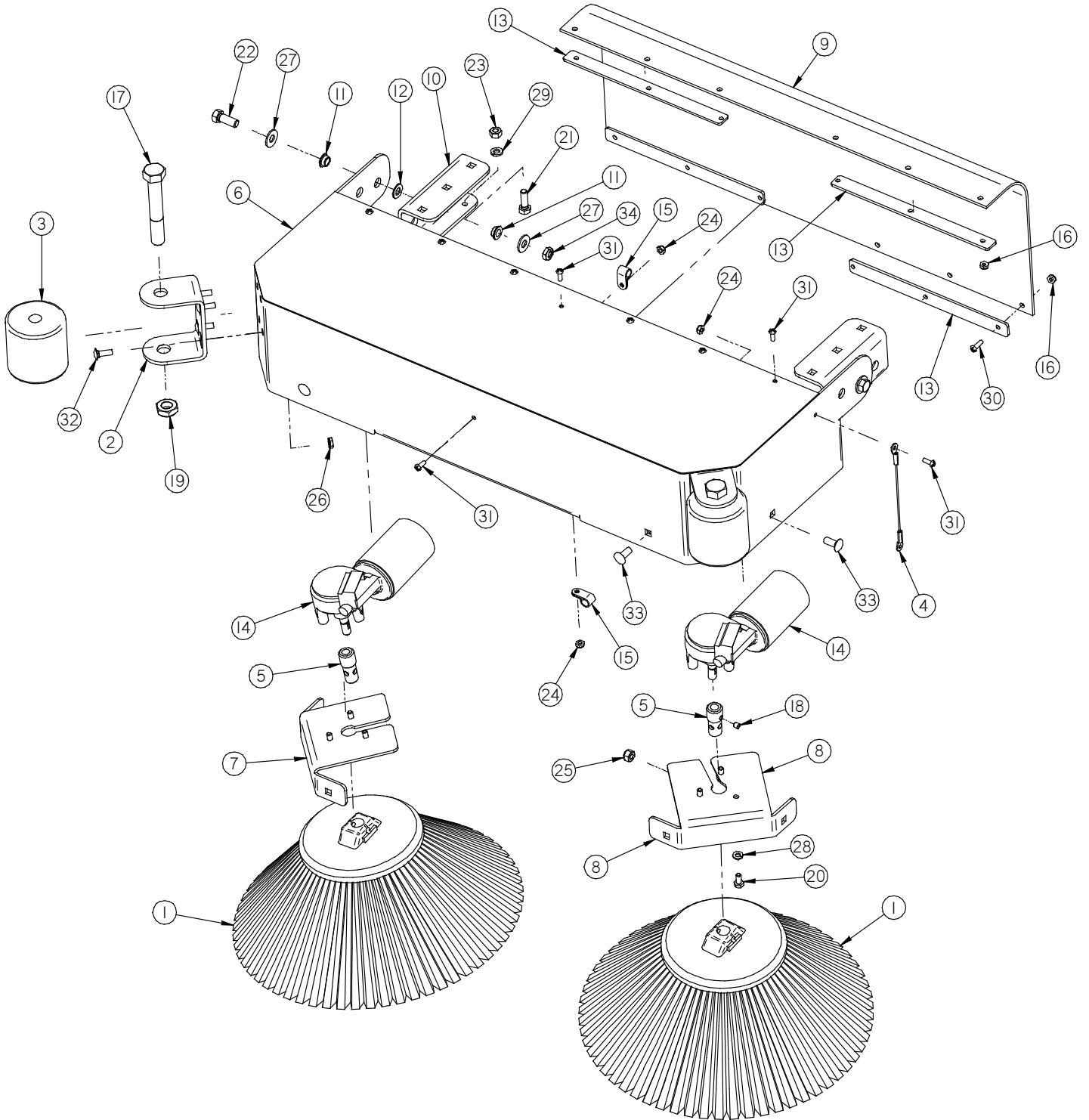
Item	Part Number	Part Description	Qty
1	21-1601	1/2" BARBED ELBOW (PLASTIC)	2
2	253-1609	1/2" ID X 12-1/4 " LG WIRE REINF. CLEAR TUBE	1
3	253-1613	1/2" ID X 13-1/2" LG WIRE REINF. CLEAR TUBE	1
4	253-1614	1/2" ID X 24" LG WIRE REINF. CLEAR TUBE	1
5	290-8960	GARDEN HOSE	1
6	5-891	PUMP, WATER JET	1
7	5-895	SPRAY NOZZLE	1
8	H-0491686	.625 ID X 1.125 OD RUBBER WASHER	1
9	H-62005	HOSE CLAMP 5/8"- 1-1/2" SS	2
10	H-70858	NYLOK #10-32 SS	4
11	H-70923	KN #10-32 SS	4
12	H-71010	FW #10 .218 x .687 S/S	4
13	H-72522	CB #10-32 X 1-1/4" SS	4
14	M-5463K727	WYE, 1/2", NYLON	1



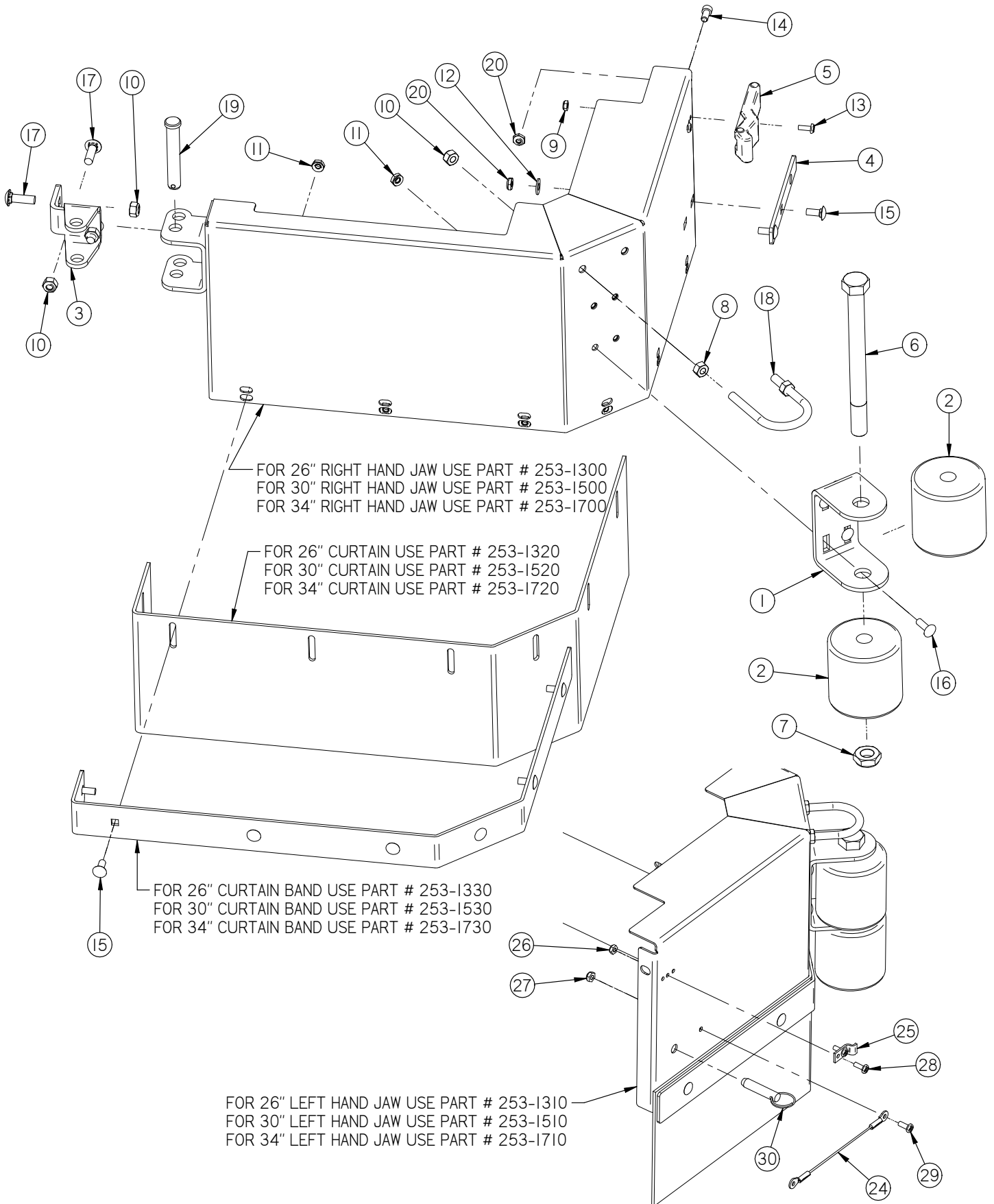
Item	Part Number	Part Description	Qty
1	253-2240	2" STROKE 24V ACTUATOR 450 LB LOAD	1
2	H-70861	NYLOK 5/16" - 18 SS	2
3	H-74429	CB 5/16" - 18 X 3/4" SS	2
4	H-RUE22	1/2" RUE RING COTTER	1
5	H-ZCP228	CLEVIS PIN, 1/2" OD X 2" LG	1



Item	Part Number	Part Description	Qty
1	21-4072	HOSE CUFF, 1 1/2"	1
2	290-7212	1-1/2" - 2" HOSE CUFF	1
3	5-883	HOSE, VACUUM, 1-1/2" X 15', W/CUFFS	1
4	5-889	VACUUM NOZZLE	1
5	7-884	COUPLER, S/S	1
6	7-887	TWO PIECE CHROME VAC WAND	1



Item	Part No.	Part Description	Qty.
1	I-402	SIDE BROOM POLYPROPYLENE	2
2	2I-1126	ROLLER BRACKET	2
3	2I-1127	ROLLER	2
4	2I-4060	6" LANYARD	2
5	253-2443	COUPLER	2
6	253-4422	27" SIDE BROOM LIFT ARM	1
7	253-4427	BRACKET, RIGHT	1
8	253-4428	BRACKET, LEFT	1
9	253-4429	SIDE BROOM CURTAIN	1
10	253-4435	SIDE BRROM LIFT BRACKET	2
11	290-1233	3/8" ID, 1/2" OD, 1/4" LG BEARING	4
12	290-1247	FW BRONZE .75 OD X .375 ID X .0625 THK	2
13	4-529	CURTAIN CLAMP	4
14	8-220	SIDE BROOM MOTOR	2
15	H-0127288	#6 3/8" RUBBER LOOP CLAMP	2
16	H-0129155	JNYL #10-32, 18-8 S/S	12
17	H-11319	HB 5/8"- 11 X 4"	2
18	H-25379	SETSCREW, KCP, 1/4"-20 X 1/4"	2
19	H-37038	JNYL 5/8"- 11	2
20	H-38558	HCS M6-1.0 X 14	6
21	H-70055	HCS 5/16"- 18 X 1" SS	2
22	H-70105	HCS 3/8"- 16 X 1" SS	2
23	H-70711	HN 5/16"- 18 SS	2
24	H-70858	NYLOK #10-32 SS	4
25	H-70861	NYLOK 5/16" - 18 SS	4
26	H-70925	KN 1/4-20 S/S	8
27	H-71017	FW 3/8" X 7/8" SS	4
28	H-71063	LW #6 SS	6
29	H-71065	LW 5/16" SS	2
30	H-71614	RPH #10-32 X 5/8" SS	6
31	H-72515	RPH #10-32 X 1/2" SS	10
32	H-74419	CB 1/4"- 20 X .75" SS	8
33	H-74429	CB 5/16"- 18 X 3/4" SS	4
34	H-NJ06C	JNYL 3/8- 16 SS	2



RIGHT JAW PARTS LIST

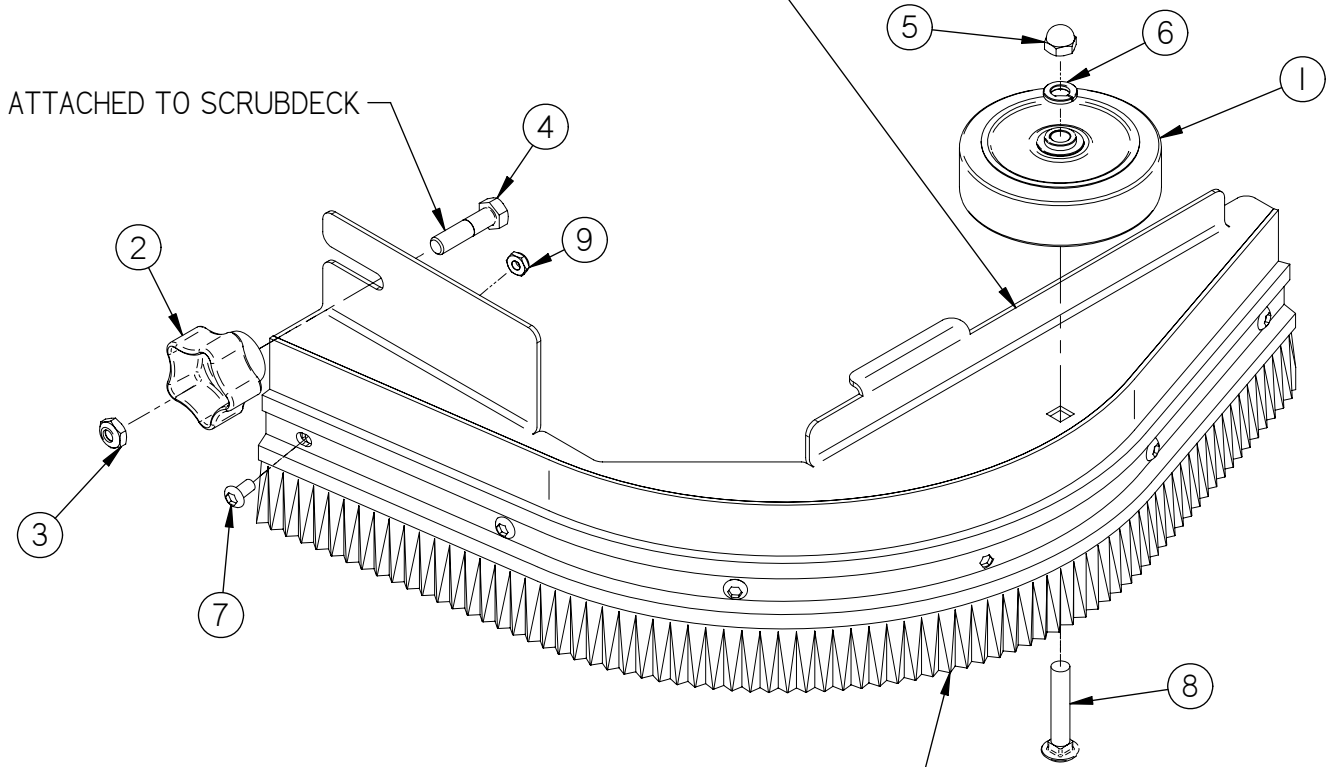
Item	Part Number	Part Description	Qty
1	21-1126	ROLLER BRACKET	1
2	21-1127	ROLLER	2
3	253-1160	JAW HINGE, INNER	1
4	253-1350	JAW LOCK	1
5	4-124	LATCH	1
6	H-13327	HB 5/8" - 11 X 7.0"	1
7	H-37038	JNYL 5/8" - 11	1
8	H-70711	HN 5/16" - 18 SS	2
9	H-70856	NYLOK #8-32 SS	2
10	H-70861	NYLOK 5/16" - 18 SS	5
11	H-70925	KN 1/4-20 S/S	11
12	H-71013	FNW 1/4" X 5/8" SS	2
13	H-72398	PPH #8-32 X 1/2" S/S	2
14	H-73459	SHCS 1/4-20 X 1/2 SS	1
15	H-74418	CB 1/4" - 20 X 5/8" S/S	9
16	H-74419	CB 1/4" - 20 X .75" SS	4
17	H-74430	CB 5/16" - 18 X 1" SS	3
18	H-74631	5/16-18 X 2 1/4" SS U BOLT	1
19	H-CP238	1/2" X 3" CLEVIS PIN	1
20	H-NJ04C	JNYL 1/4" - 20 SS	3

LEFT JAW PARTS LIST

SAME PARTS AS RIGHT JAW EXCEPT WHAT'S LISTED BELOW

24	21-4060	6" LANYARD	1
25	4-124	CLIP, LATCH	1
26	H-70856	NYLOK #8-32 SS	1
27	H-70858	NYLOK #10-32 SS	1
28	H-72398	PPH #8-32 X 1/2" S/S	1
29	H-72515	PPH #10-32 X 1/2" S/S	1
30	M-98404A368	DETENT RING PIN, 3/8" X .8"	1

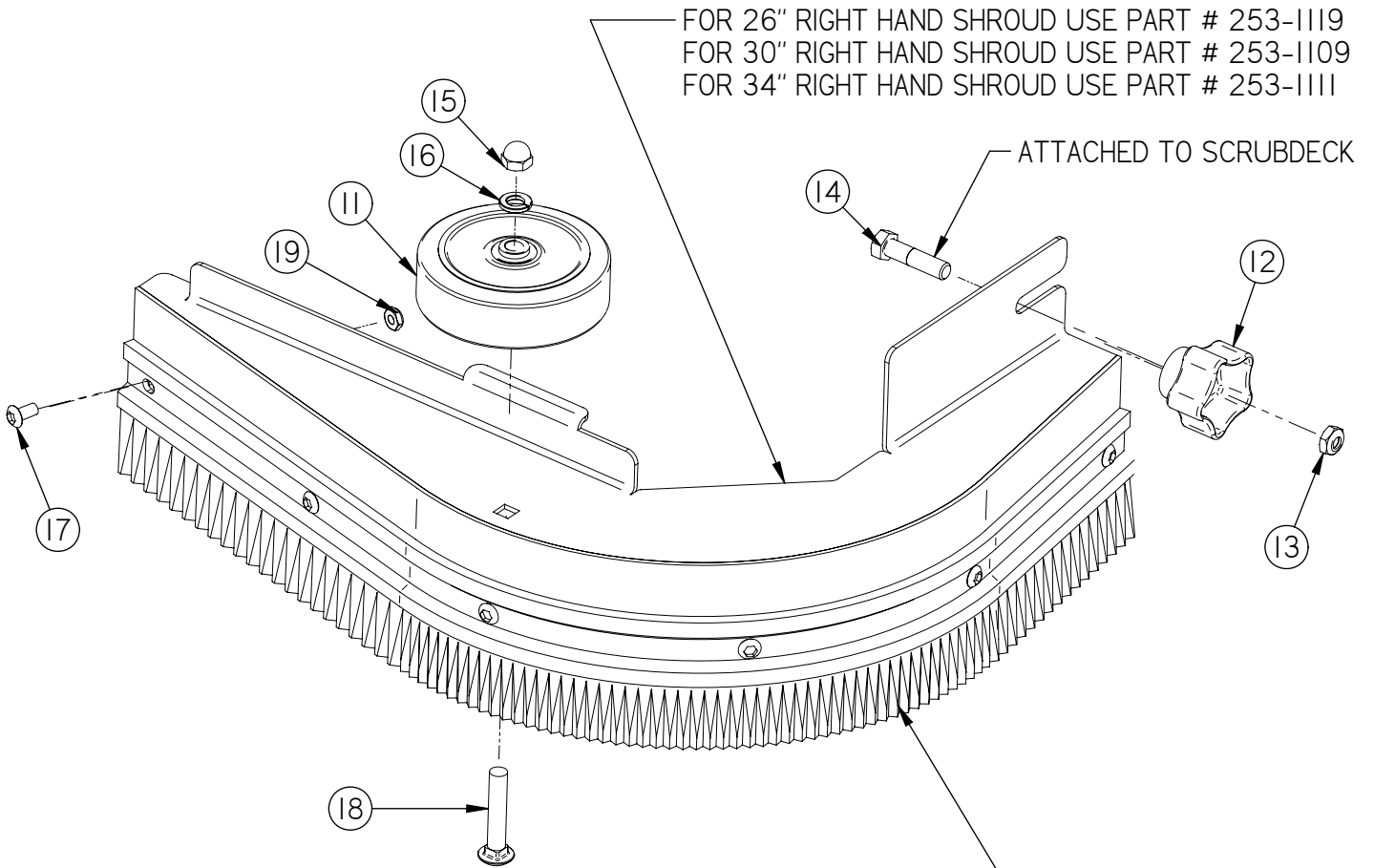
FOR 26" LEFT HAND SHROUD USE PART # 253-1118
 FOR 30" LEFT HAND SHROUD USE PART # 253-1108
 FOR 34" LEFT HAND SHROUD USE PART # 253-1110



FOR 26" LEFT HAND SHROUD CURTAIN USE PART # 253-0018
 FOR 30" LEFT HAND SHROUD CURTAIN USE PART # 253-0018
 FOR 34" LEFT HAND SHROUD CURTAIN USE PART # 253-0015

LEFT SHROUD

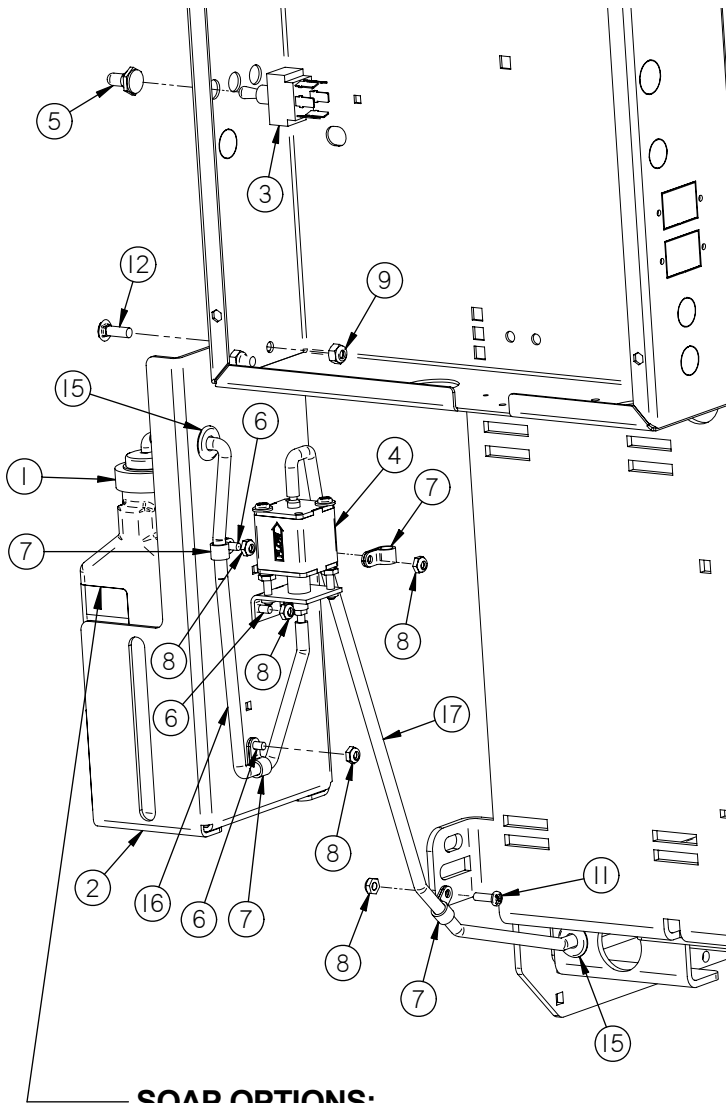
Item	Part Number	Part Description	Qty
1	190-3030	4.0" WHEEL (GRAY)	1
2	290-5787	STAR KNOB, 3/8-24 THREAD	1
3	H-0171004	JNYL 3/8- 24 SS	1
4	H-01729	HCS 3/8"- 24 X 1-1/2" SS	1
5	H-37710	3/8-16 LC ACORN NUT, NICKEL	1
6	H-71067	LW 3/8" SS	1
7	H-73752	BHSCS 1/4 - 20 X 1/2" SS	6
8	H-74439	CB 3/8"- 16 X 2.0" SS	1
9	H-NJ04C	JNYL 1/4" - 20 SS	6



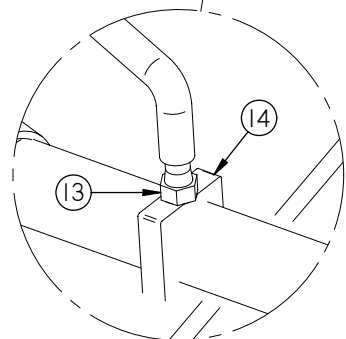
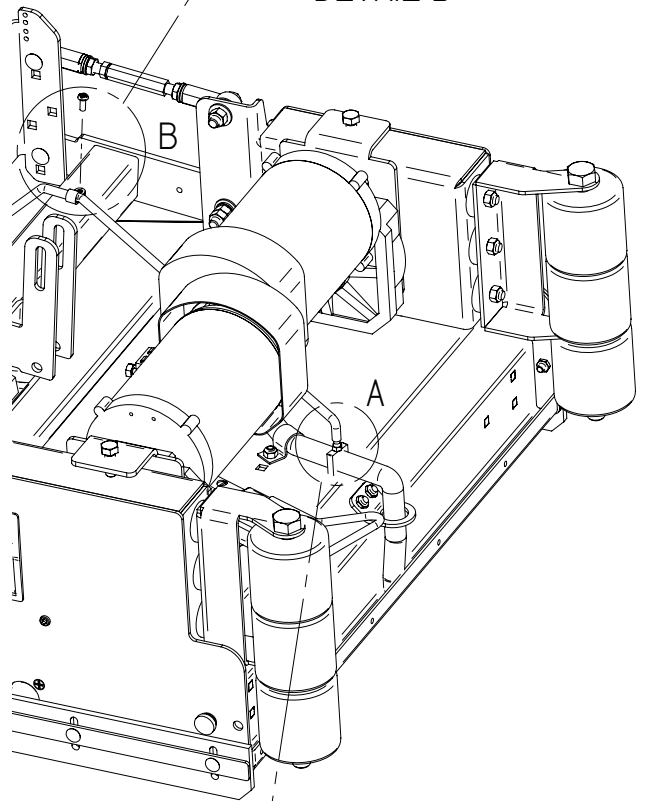
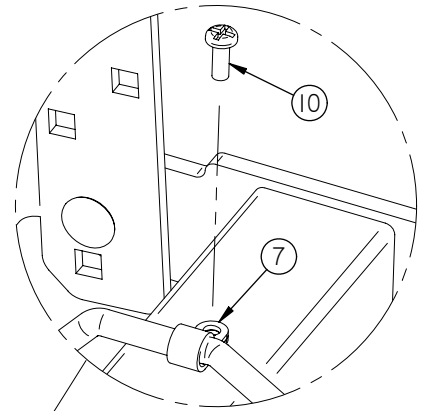
FOR 26" RIGHT HAND SHROUD CURTAIN USE PART # 253-0021
 FOR 30" RIGHT HAND SHROUD CURTAIN USE PART # 253-0019
 FOR 34" RIGHT HAND SHROUD CURTAIN USE PART # 253-0016

RIGHT SHROUD

Item	Part Number	Part Description	Qty
11	190-3030	4.0" WHEEL (GRAY)	1
12	290-5787	STAR KNOB, 3/8-24 THREAD	1
13	H-0171004	JNYL 3/8- 24 SS	1
14	H-01729	HCS 3/8"- 24 X 1-1/2" SS	1
15	H-37710	3/8-16 LC ACORN NUT, NICKEL	1
16	H-71067	LW 3/8" SS	1
17	H-73752	BHSCS 1/4 - 20 X 1/2" SS	6
18	H-74439	CB 3/8"- 16 X 2.0" SS	1
19	H-NJ04C	JNYL 1/4" - 20 SS	6



SOAP OPTIONS:
 PC707 - CITRUS GREEN
 PC733 - LOW pH
 PC755 - HIGH POWER
 PC757 - GLOSS
 PC797 - HD



Item	Part Number	Part Description	Qty
1	253-0115	SOAPJUG CAP	1
2	253-1760	SOAP TRAY, SINGLE	1
3	253-283	SWITCH, TOGGLE, ON/OFF/ON (DPDT)	1
4	253-8500	SOAP PUMP, 24V	1
5	H-01198	PROTECTIVE BOOT, TOGGLE SWITCH, (GREEN)	1
6	H-0172518	CB #10-32 X 1/2" SS	5
7	H-02239	3/8" NYLON LOOP CLAMP	5
8	H-70858	NYLOK #10-32 SS	6
9	H-70860	NYLOK 1/4"- 20 SS	2
10	H-72515	PPH #10-32 X 1/2" S/S	1
11	H-72517	PPH #10-32 X 5/8" SS	1
12	H-74419	CB 1/4"- 20 X .75" SS	2
13	M-2974K369	NYLON BARBED TUBE FITTING, 3/16 ID X 1/16" NPT	1
14	M-5116K46	1/2" X 1/2" BARB	1
15	M-9307K23	GROMMET, RUBBER 3/8 ID X 7/8 OD X 1/8 TH.	3
16	T-018CR2000	3/16" ID X 20" LG. C.R. TUBE	1
17	T-018CR7200	3/16" ID X 72" LG. C.R. TUBE	1